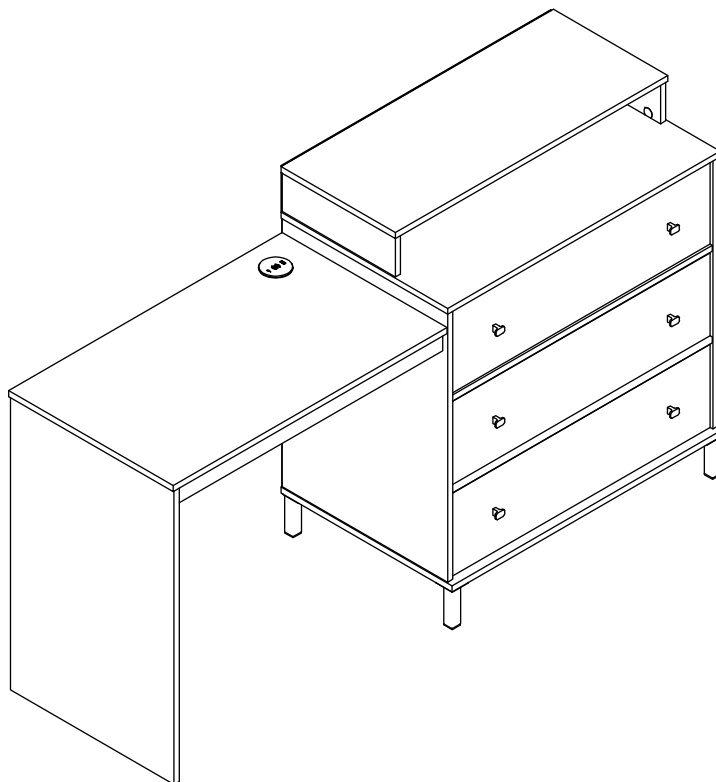


# 3499850COM Dresser / Desk Combo

# Ameriwood HOME

Date of Purchase \_\_\_ / \_\_\_ / \_\_\_  
Lot Number:

B343499850COM00MP



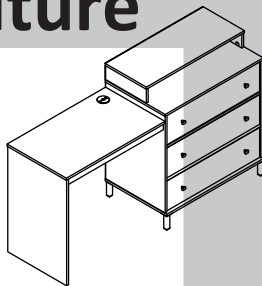
**Do Not Return This Product!**  
Contact our customer service team for help first.  
**Call:** 1-800-489-3351 (toll free)  
Monday-Friday 9am - 5pm CST  
**Visit:** [www.ameriwoodhome.com](http://www.ameriwoodhome.com)

THIS INSTRUCTION BOOKLET CONTAINS **IMPORTANT** SAFETY INFORMATION. PLEASE READ AND KEEP FOR FUTURE REFERENCE.

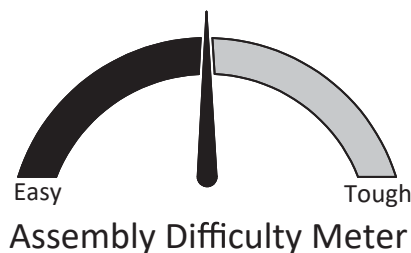
## Secure Your Furniture

Keep your home and family safe with the wall anchor kit that is included with the product.

Serious or fatal crushing injuries can occur from tipping furniture.



**WARNING:** Manufacturer assumes no liability for improper installation or excessive loads placed on screws or bracket. This wall anchor is not a substitute for proper adult supervision.



Assembly Difficulty Meter

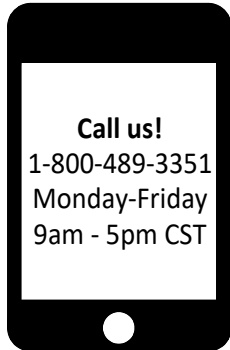
Follow Ameriwood Home



## Contact Us!

### Do NOT return this product!

Contact our friendly customer service team first for help.



Visit [ameriwoodhome.com](http://ameriwoodhome.com) to view the limited warranty valid in the U.S. and Canada.

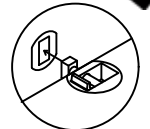
Assembly Tips



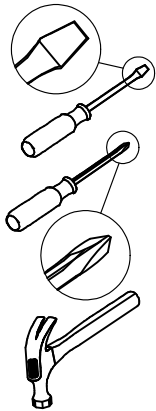
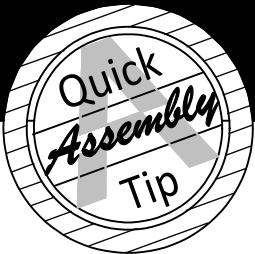
## Helpful Hints

PEOPLE NEEDED FOR ASSEMBLY: **1-2**  
ESTIMATED ASSEMBLY TIME: **1 HOURS**

- Open your item in the area you plan to keep it to avoid excessive heavy lifting.
- Identify, sort and count the parts before attempting assembly.
- Compression dowels are lightly tapped in with a hammer.
- Before installation make sure light switch unlocked state.
- Use all the nails provided for the back panel and spread them out equally.
- Back panel must be used to make sure your unit is sturdy.
- Do NOT use harsh chemicals or abrasive cleaners on this item.
- Never push, pull, or drag your furniture.



## Before You Start

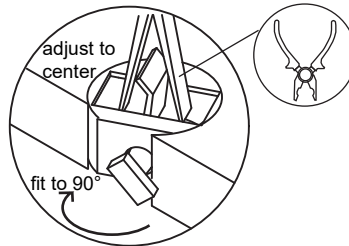


- ✓ Read through each step carefully and follow the proper order
- ✓ Separate and count all your parts and hardware
- ✓ Give yourself enough room for the assembly process
- ✓ Have the following tools: Flat Head Screwdriver, #2 Phillips Head Screwdriver, Plier and Hammer.
- ✓ Caution: If using a power drill or power screwdriver for screwing, please be aware to slow down and stop when screw is tight. Failure to do so may result in stripping the screw.

## Cam Lock Fastening System

This Cam Lock Fastening System will be used throughout the assembly process.

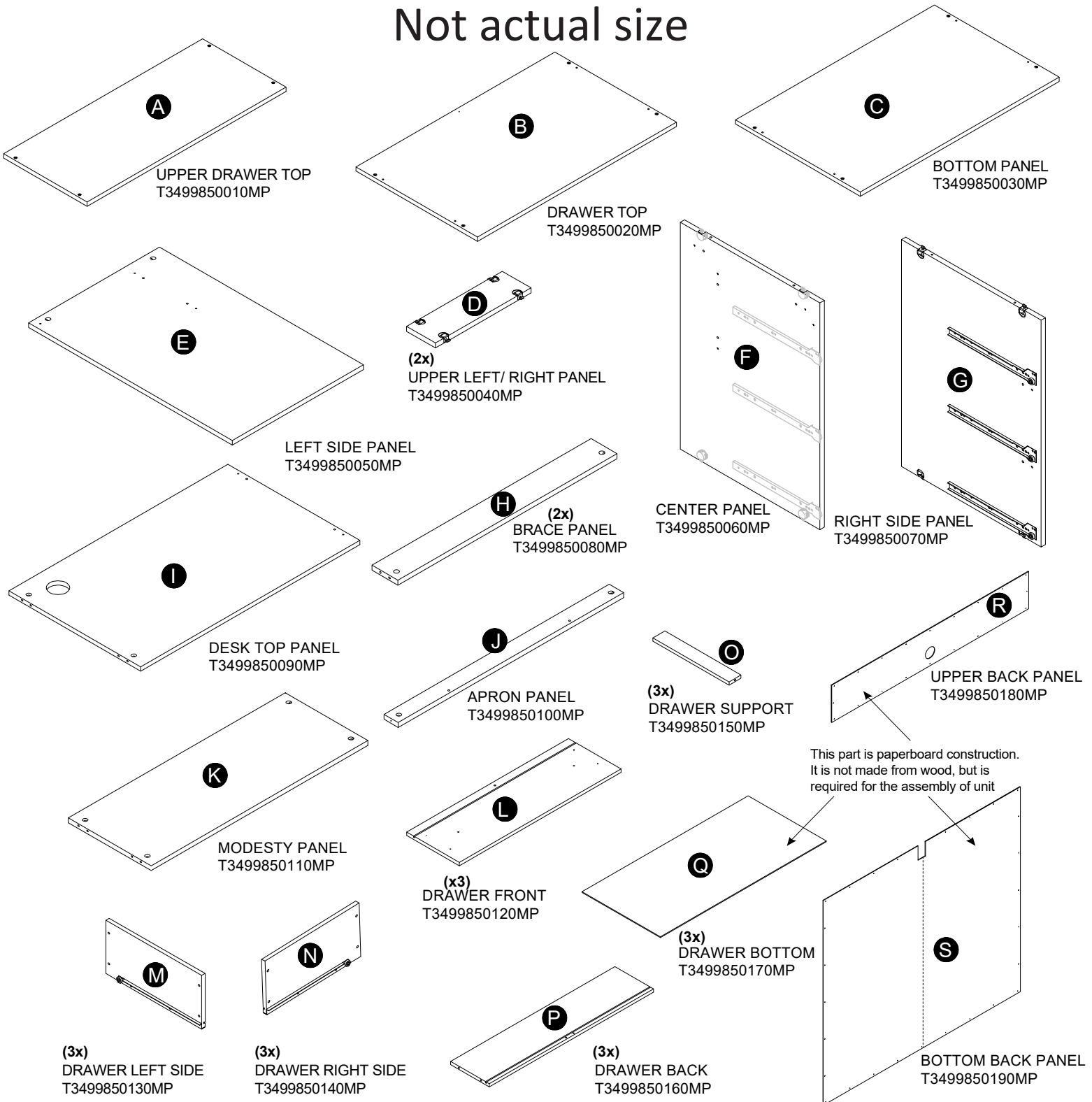
\*\* If the pin position is offset, use pliers to hold the flip switch in the upright position and carefully turn the switchlock to the center of the opening.



<p>Ensure starting position is correct before you insert a switch lock connecting .</p>	<p>Switch lock might be tight for some user. Please exert pressure to fully lock</p>
---	--

# Board Identification

Not actual size

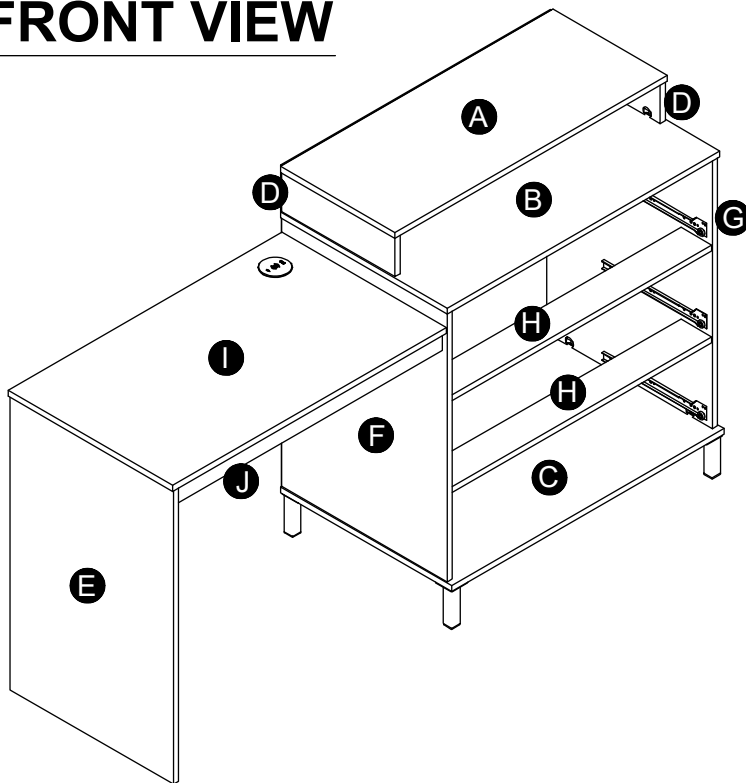




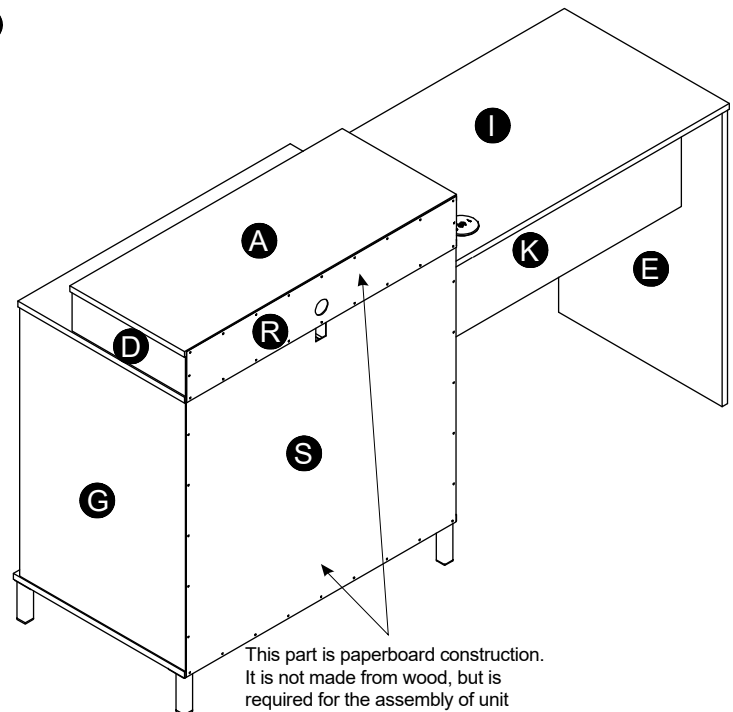
# Board Identification

Not actual size

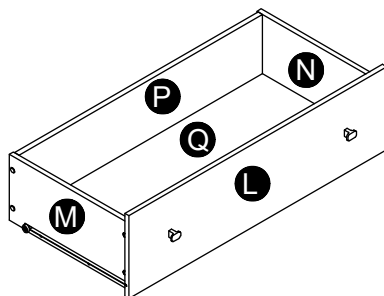
## FRONT VIEW



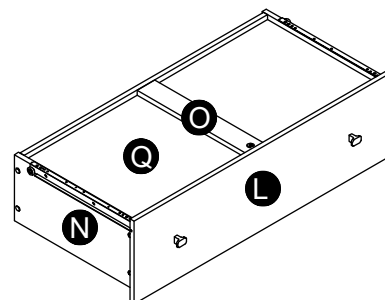
## BACK VIEW



## DRAWER FRONT

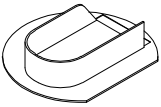
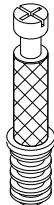
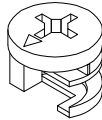
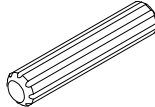
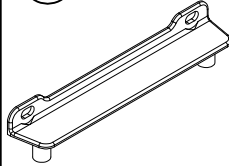
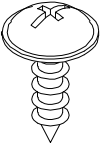


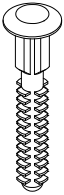
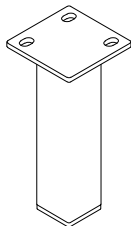
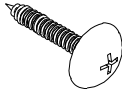

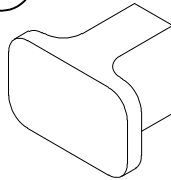

## DRAWER BACK

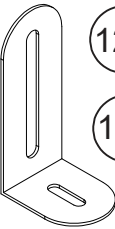

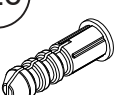

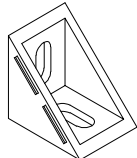
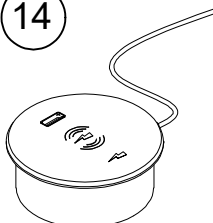
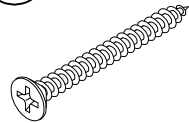


# Part List

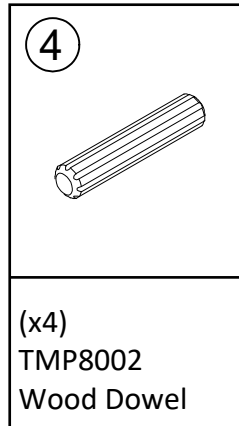
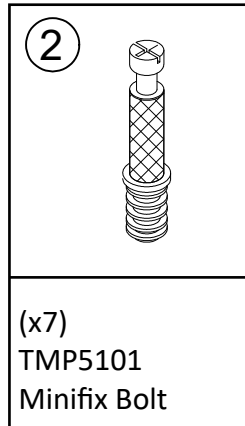
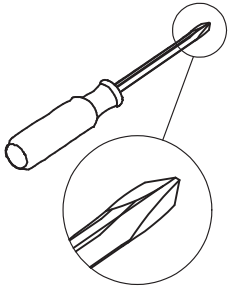
Not actual size

<p>①</p> 	<p>②</p>  <p>7 x 34mm</p>	<p>③</p>  <p>Ø15 x 10mm</p>	<p>④</p>  <p>6 x 30mm</p>	<p>⑤</p> 	<p>⑥</p>  <p>Ø4 x 11mm</p>
<p>(x8) TMP2531 Cam Lock Cover</p>	<p>(x17) TMP5101 Minifix Bolt</p>	<p>(x17) TMP22620 Minifix Housing</p>	<p>(x20) TMP8002 Wood Dowel</p>	<p>(x6) TMP54520 Drawer Bracket</p>	<p>(x28) TMP12120 PWA Screw</p>

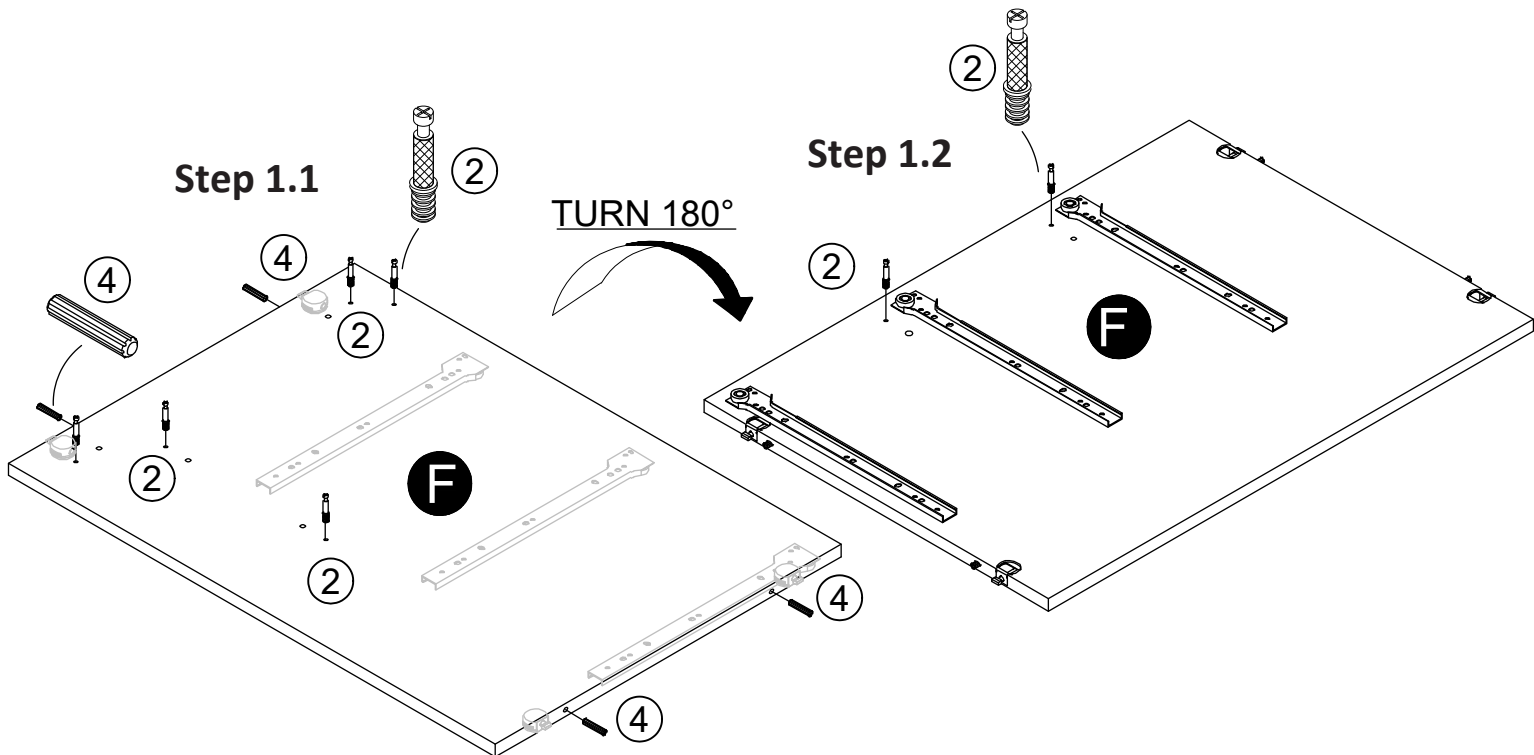
<p>⑦</p> 	<p>⑧</p> 	<p>⑨</p>  <p>Ø4 x 16mm</p>	<p>⑩a</p>  <p>⑩b</p> 	<p>⑪</p>  <p>1.6 x 20mm</p>
<p>(x12) TMP21970 Drive Fastener</p>	<p>(x4) TMP21201 Metal Leg</p>	<p>(x12) TMP22108 Leg Screw</p>	<p>(x6sets) TMP40950 T Knob Handle Set</p>	<p>(x39) TMP4703 Nail</p>

<p>⑫a</p>  <p>⑫b</p>  <p>⑫c</p>  <p>⑫d</p> 	<p>⑬</p> 	<p>⑭</p> 	<p>⑮</p>  <p>Ø4 x 32mm</p>
<p>(x1set) TMP84050 Safety Bracket Kit</p>	<p>(x2) TMP53600 L - Bracket</p>	<p>(x1) TMP26709 Wireless Charger</p>	<p>(x6) TMP4201 Screw</p>

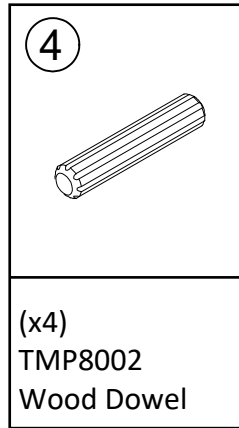
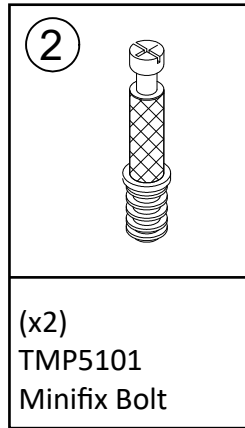
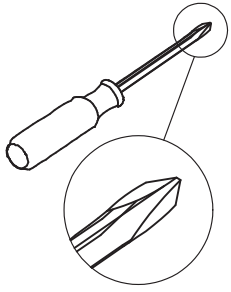
## STEP 1



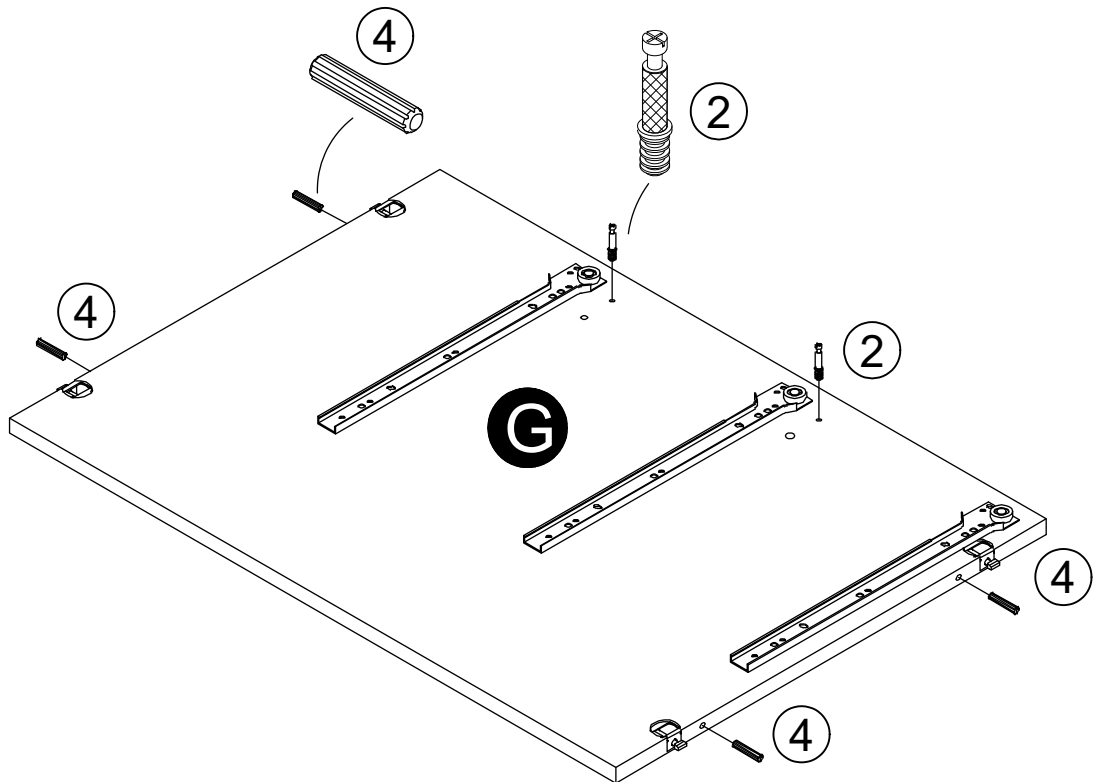
- Install Minifix Bolt (2) and Wood Dowel (4) into Center Panel (F) as shown below.
- Turn Center Panel (F) to Front and install Minifix Bolt (2)



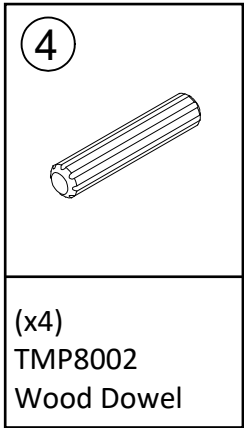
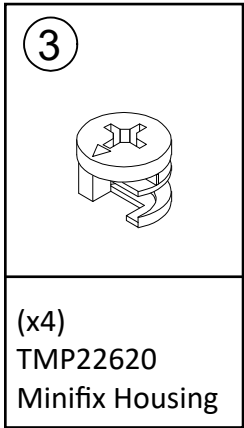
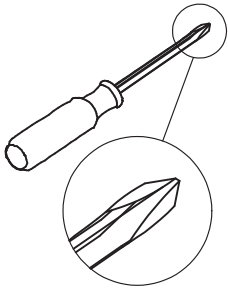
# STEP 2



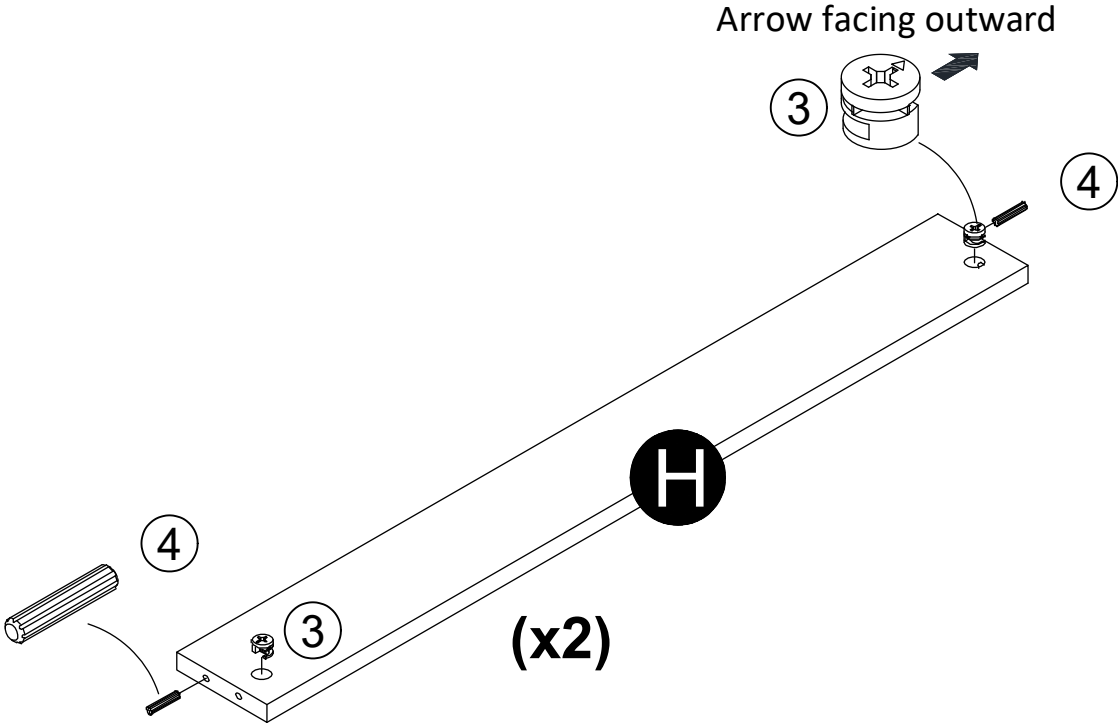
- Install Minifix Bolt (2) and Wood Dowel (4) into Right Side Panel (G) as shown below.



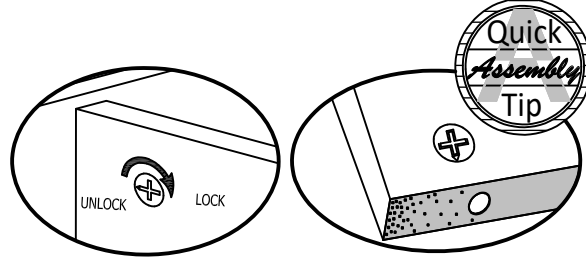
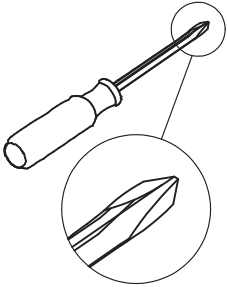
## STEP 3



- Install Minifix Housing (3) and Wood Dowel (4) into Brace Panel (H) as shown below.
- Repeat this step for other Brace.

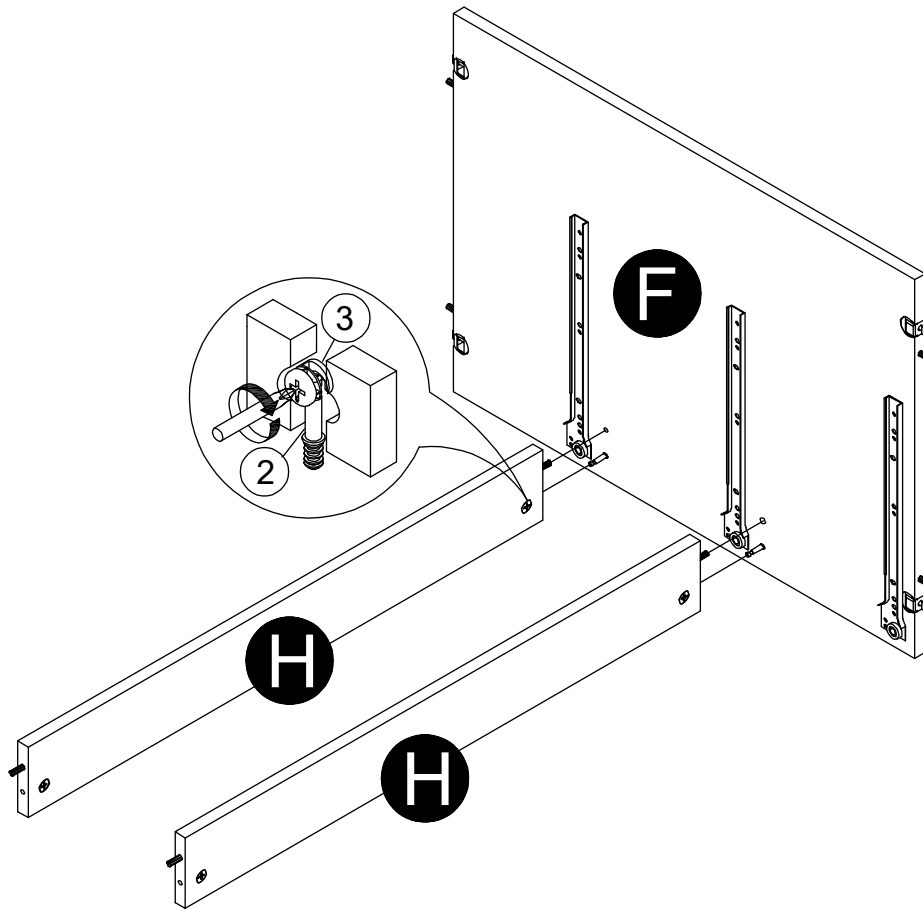


# STEP 4

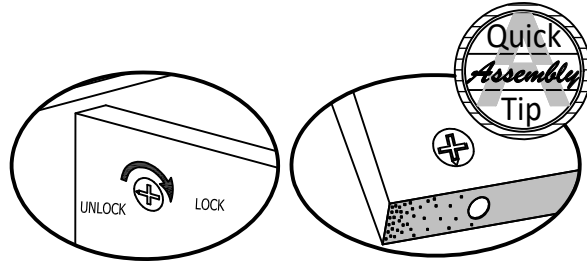
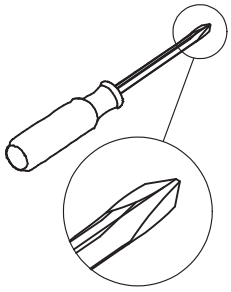


Proper Oriental of CAM LOCK

- Assemble Center Panel (F) and Brace Panel (H) as shown below.

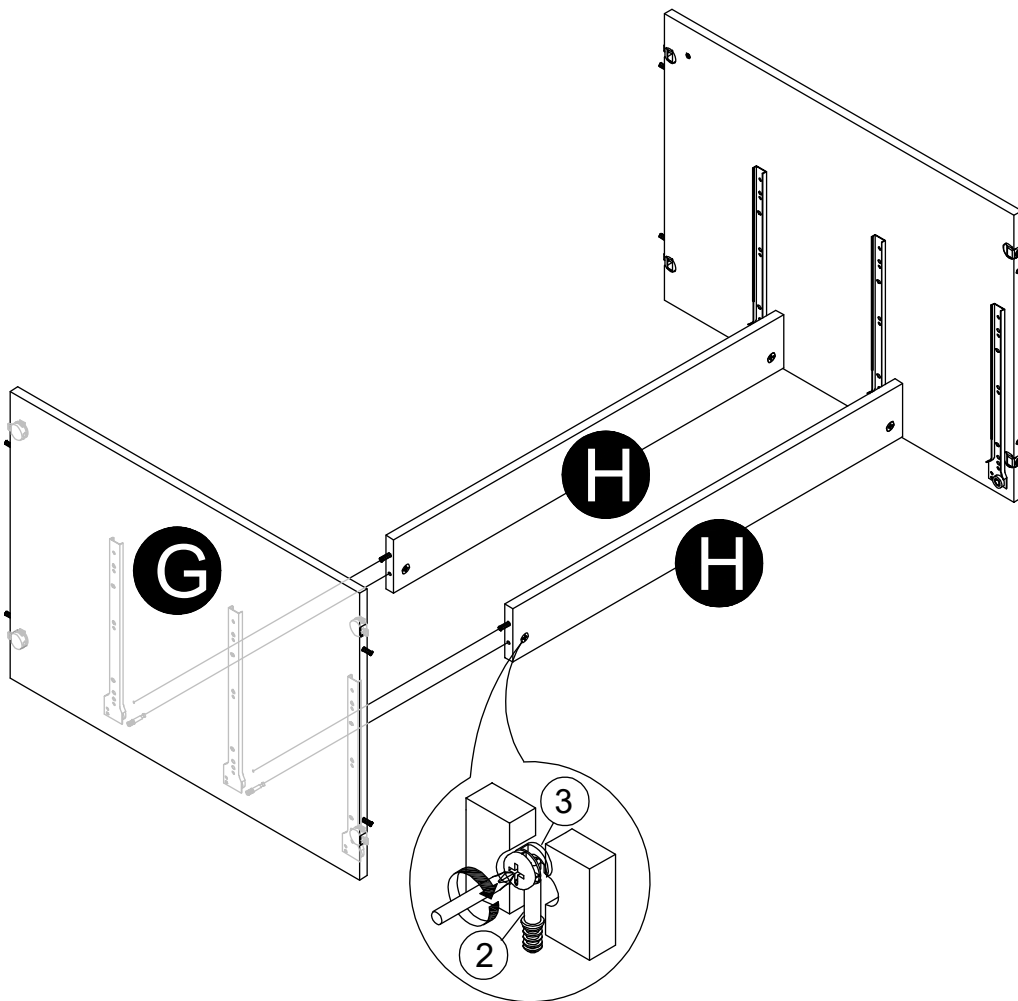


# STEP 5



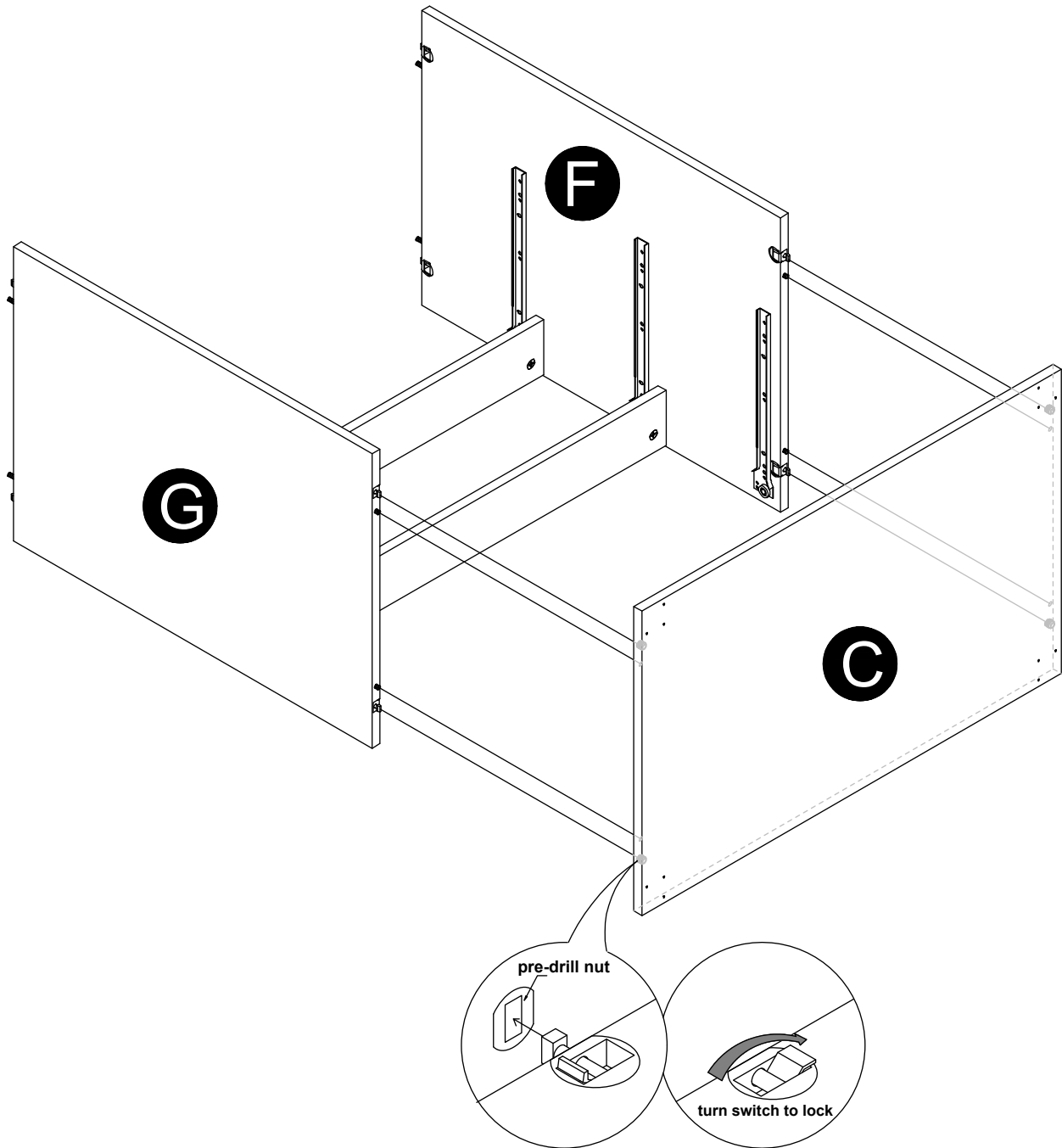
Proper Oriental of CAM LOCK

- Assemble Right Side Panel (G) and Brace Panel (H) as shown below.



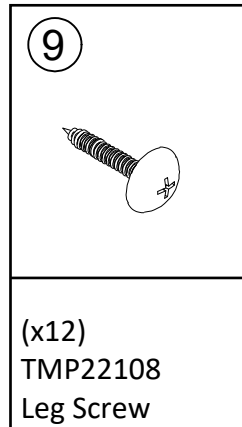
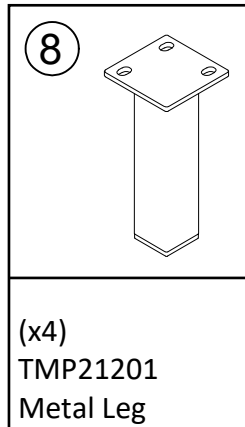
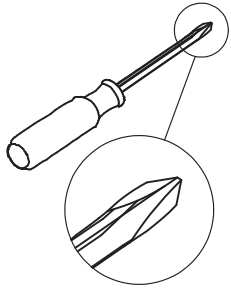
# STEP 6

- Assemble Bottom Panel (C) with Center Panel (F) and Right Side Panel (G) as shown below. Turn the switch to lock.

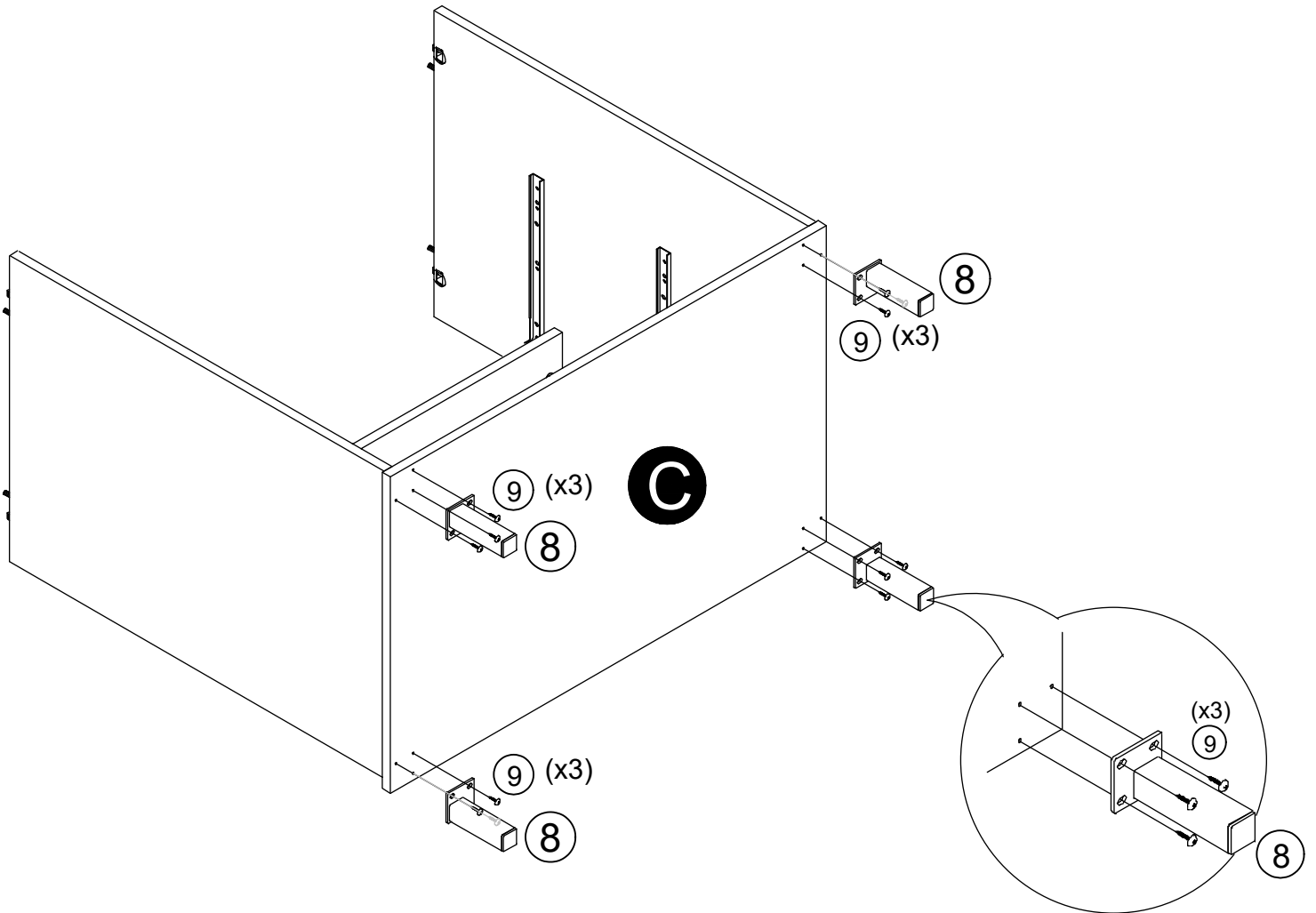




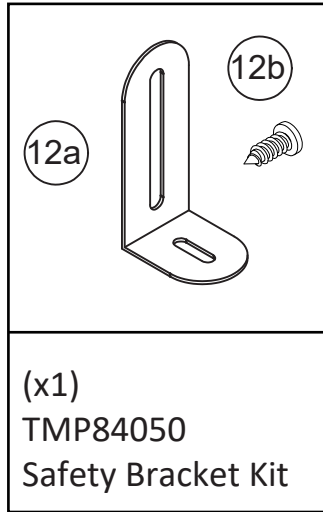
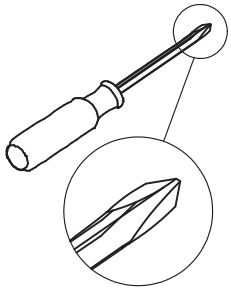
## STEP 7



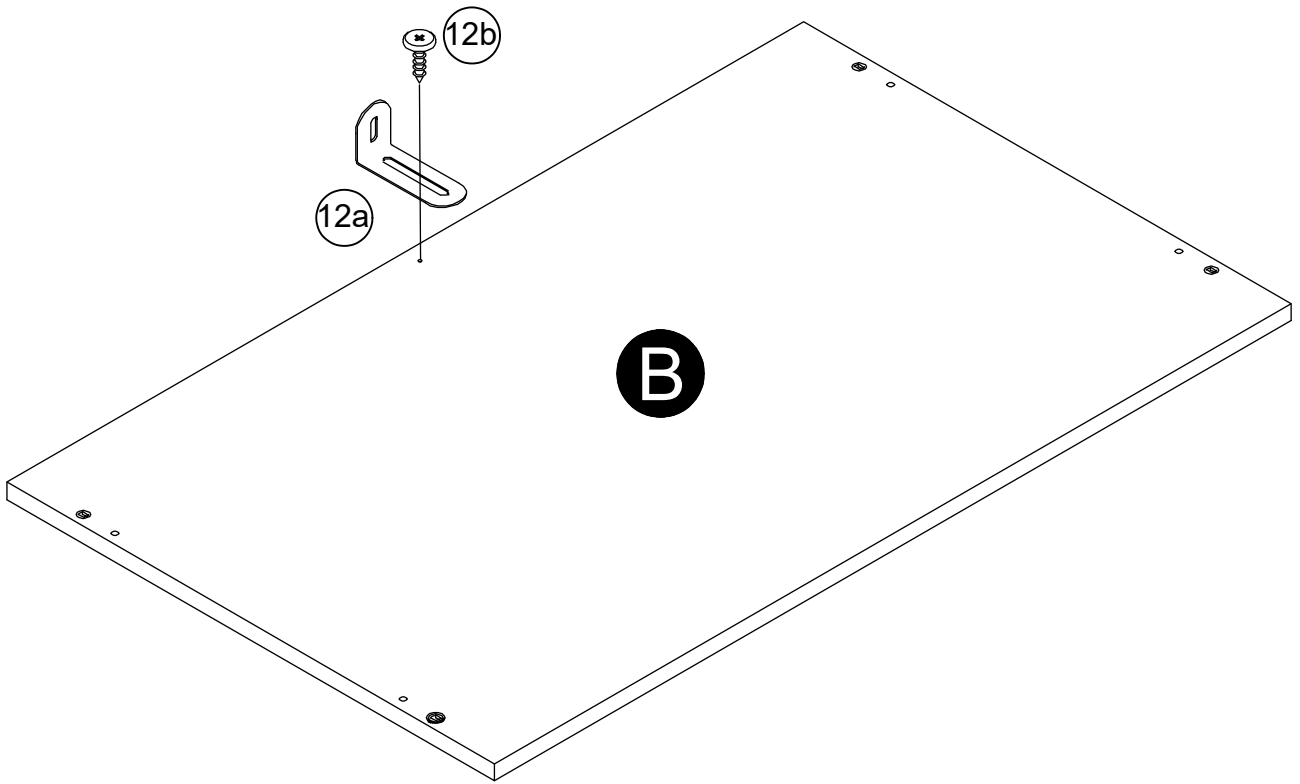
- Install Metal Leg(8) and Leg Screw (9) into Bottom Panel (C) as shown.



## STEP 8

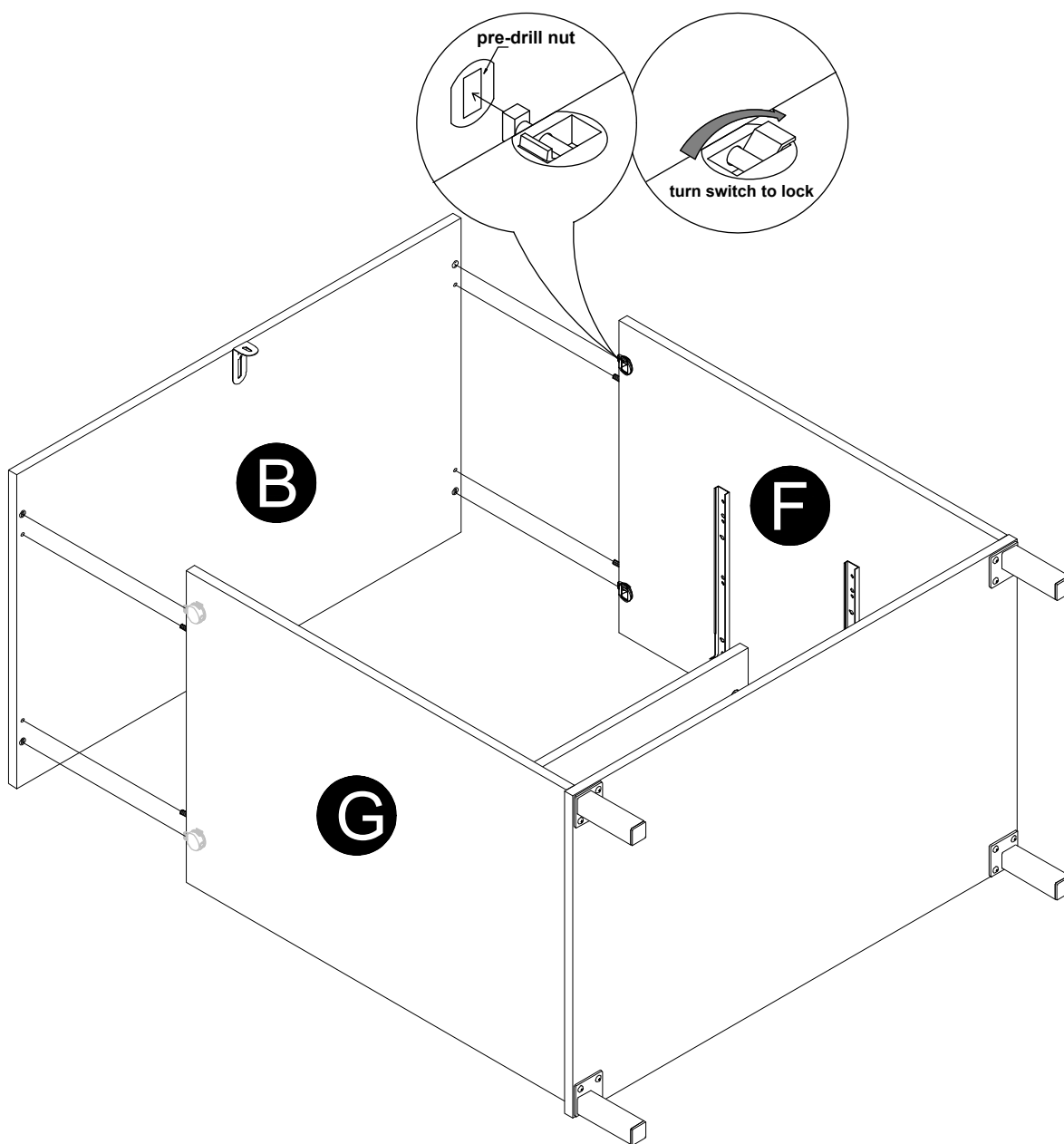


- Install Safety Bracket Kit (12a) and (12b) to Drawer Top (B) as show.



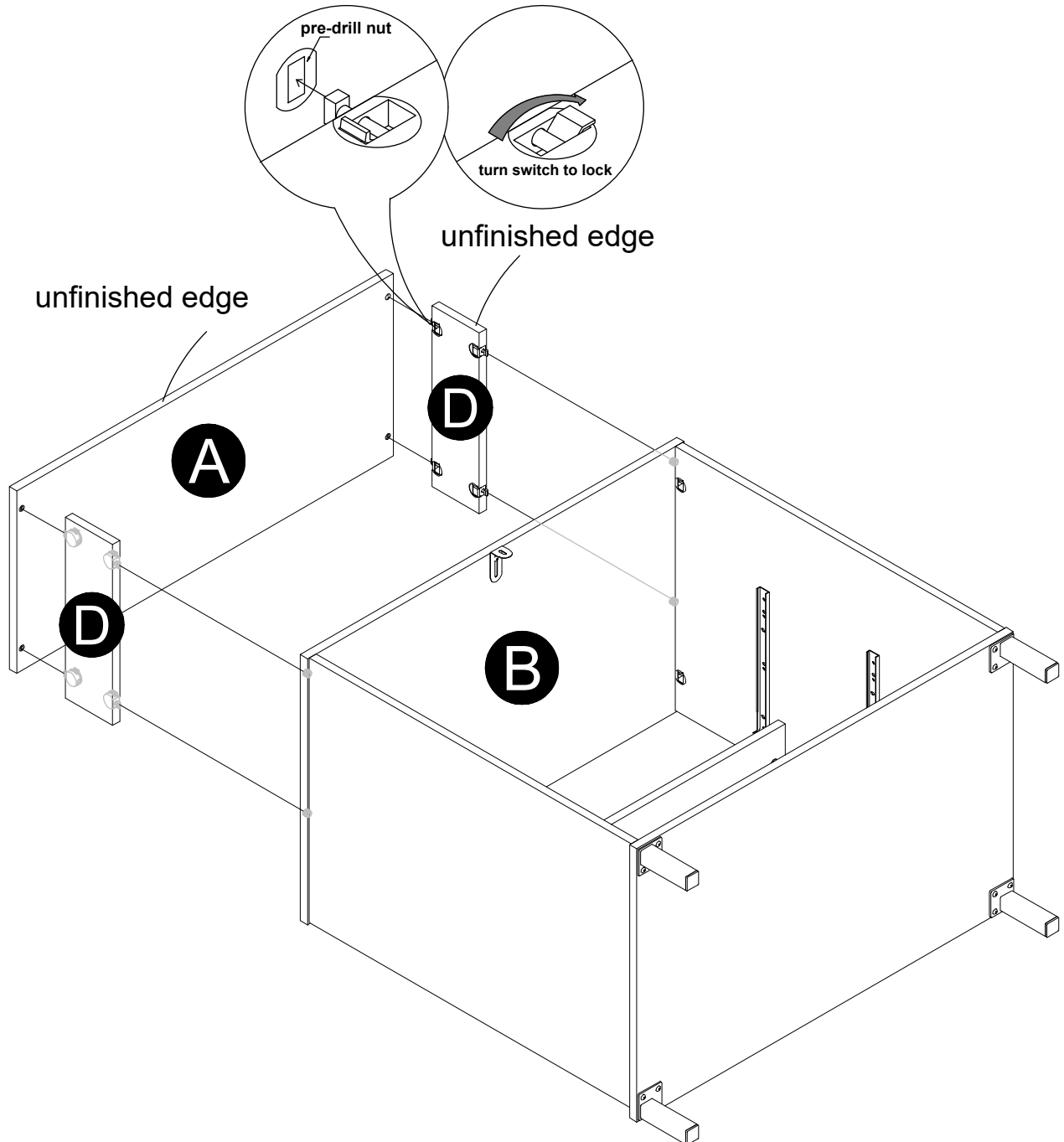
# STEP 9

- Assemble Drawer Top (B) with Center Panel (F) and Right Side Panel (G) as shown below. Turn the switch to lock.

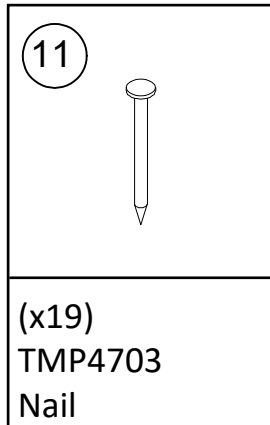


# STEP 10

- Assemble Upper Left / Right Panel (D) into Drawer Top (B) and into Upper Drawer Top (A) as shown below. Turn the switch to lock.



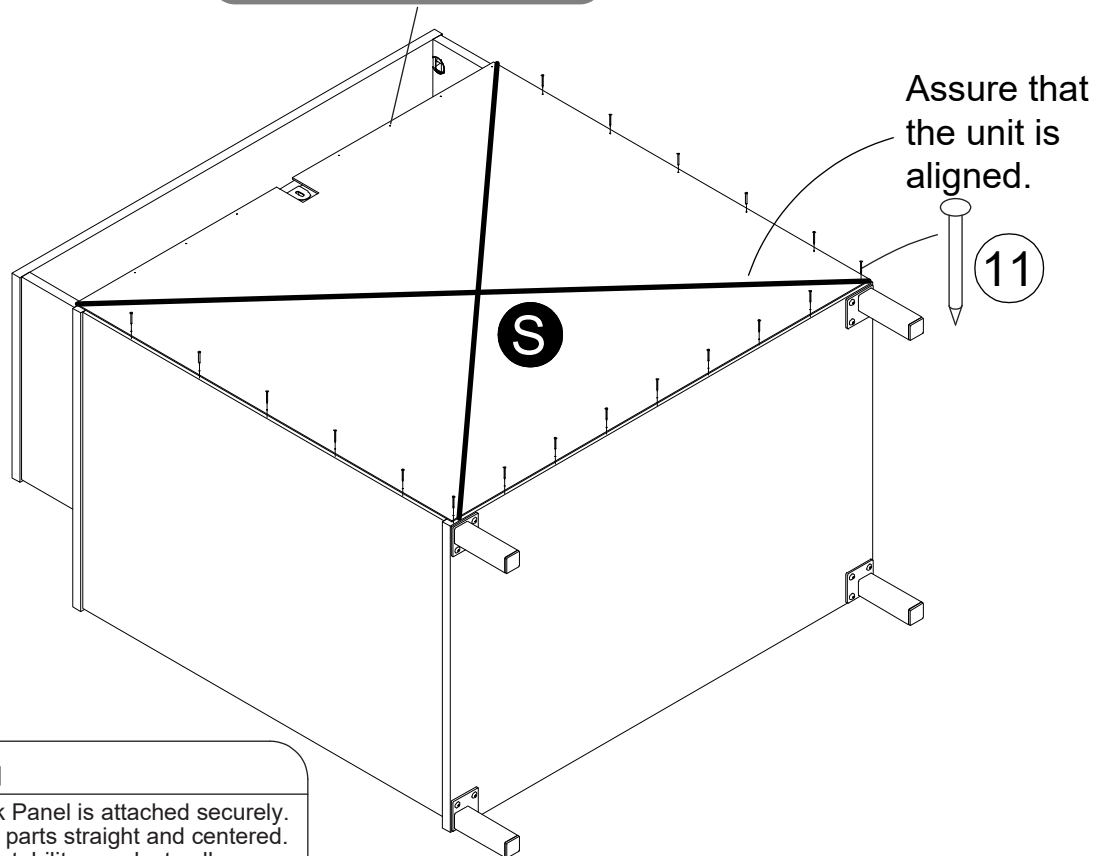
## STEP 11



**IMPORTANT!** THE BACK PANEL IS A STRUCTURAL PART OF THIS UNIT AND MUST BE INSTALLED PROPERLY.

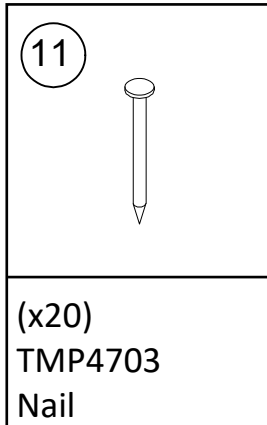
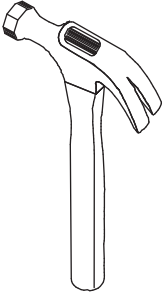
With the help of another, carefully turn your unit over on its front side. Make sure the unit is square. Position both back panel as shown. Using Nail (11), attached Bottom Back Panel (S) as shown below. Align the Bottom Back Panel and Upper Back Panel equally with outside edges and nails straight through into back edges as shown.

NOTE: DO NOT INSERT NAIL ALONG THE EDGE.



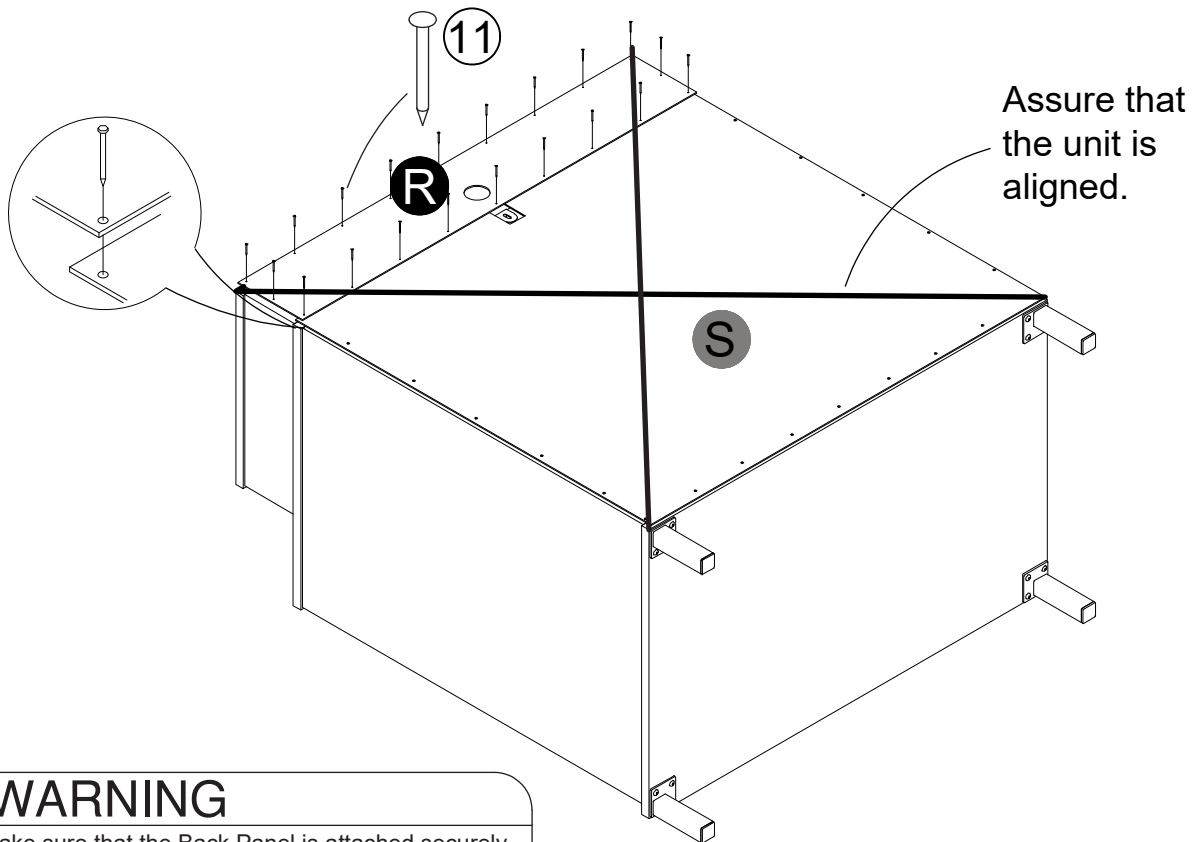
**⚠ WARNING**  
 Please make sure that the Back Panel is attached securely. All nails must be driven into the parts straight and centered. Failure to do so could cause instability, product collapse, and/or serious injury.

## STEP 12



**IMPORTANT!** THE BACK PANEL IS A STRUCTURAL PART OF THIS UNIT AND MUST BE INSTALLED PROPERLY.

With the help of another, carefully turn your unit over on its front side. Make sure the unit is square. Position both back panel as shown. Using Nail (11), attached Bottom Back Panel (S) and Upper Back Panel (R) as shown below. Align the Bottom Back Panel and Upper Back Panel equally with outside edges and nails straight through into back edges as shown.

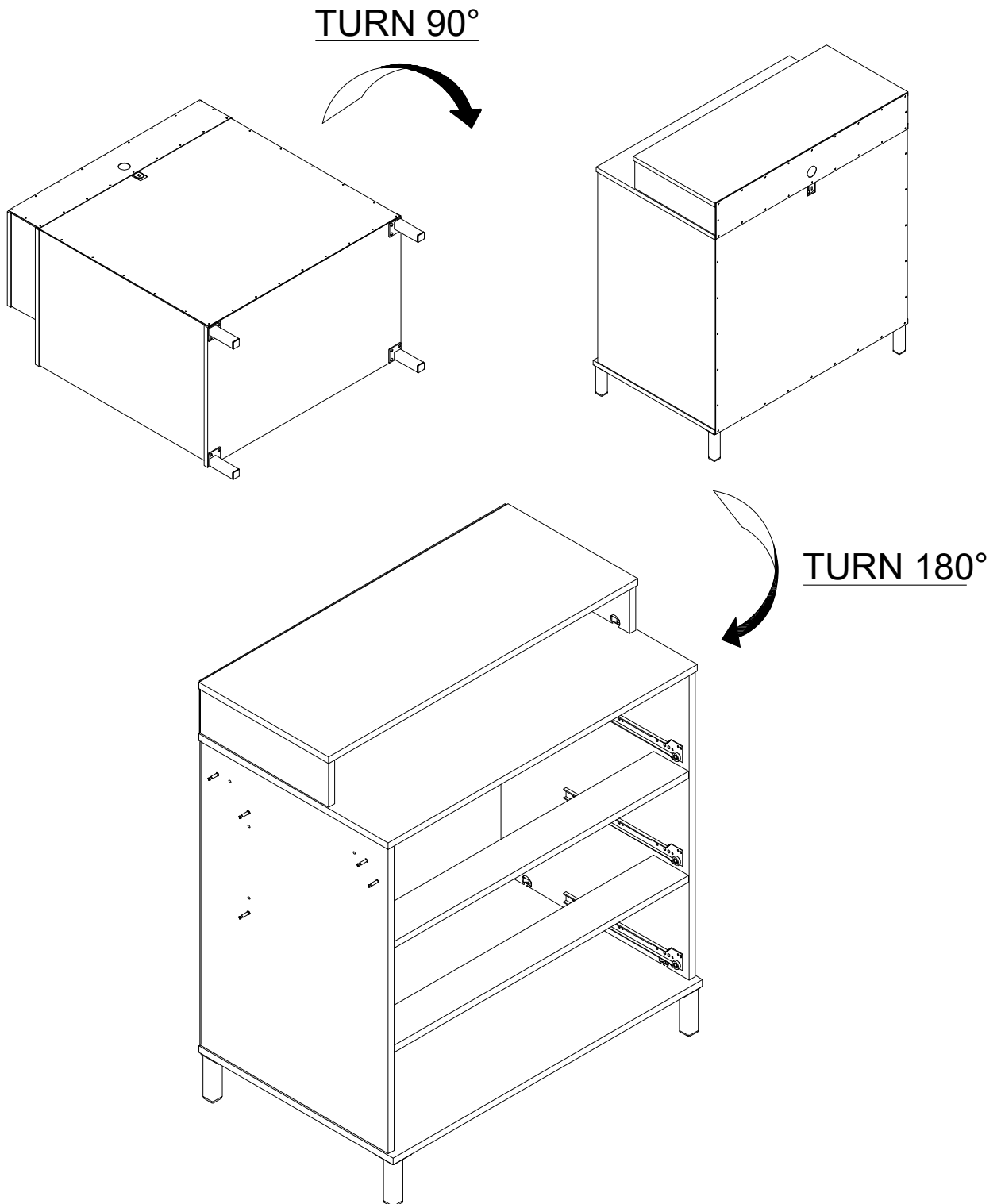


### **⚠️ WARNING**

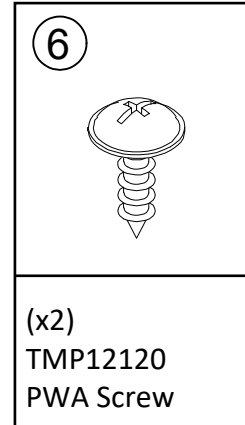
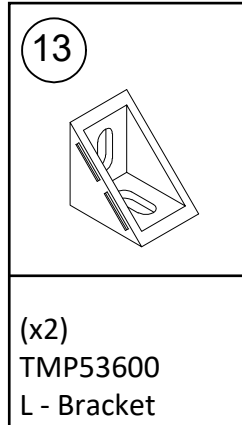
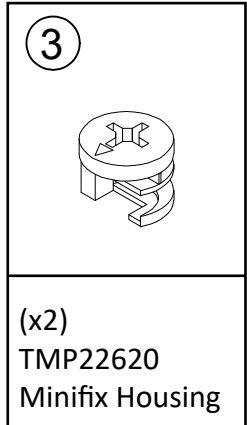
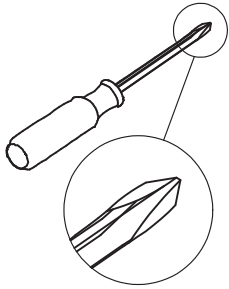
Please make sure that the Back Panel is attached securely. All nails must be driven into the parts straight and centered. Failure to do so could cause instability, product collapse, and/or serious injury.

# STEP 13

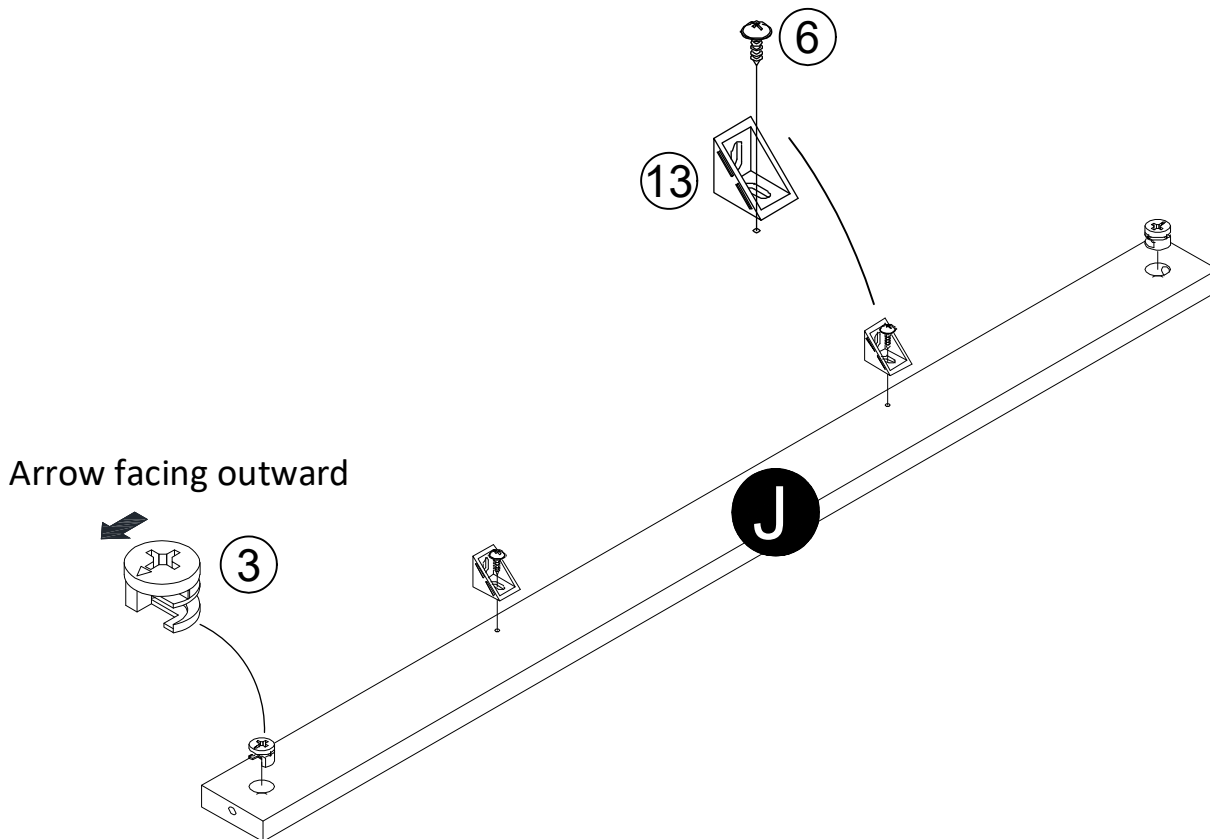
- Flip the unit, turn to front of unit.



## STEP 14

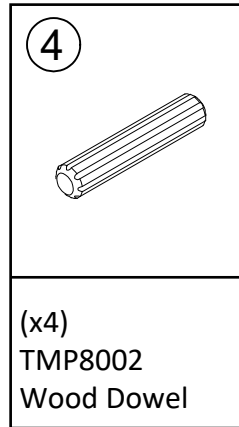
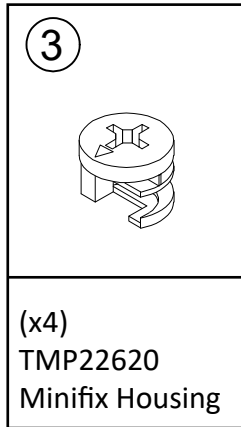
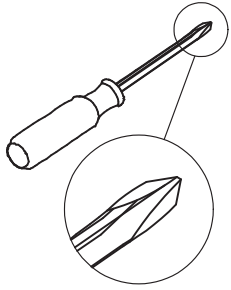


- Install Minifix Housing (3), L - Bracket (13) and PWA Screw (6) into Apron Panel (J) as below shown.

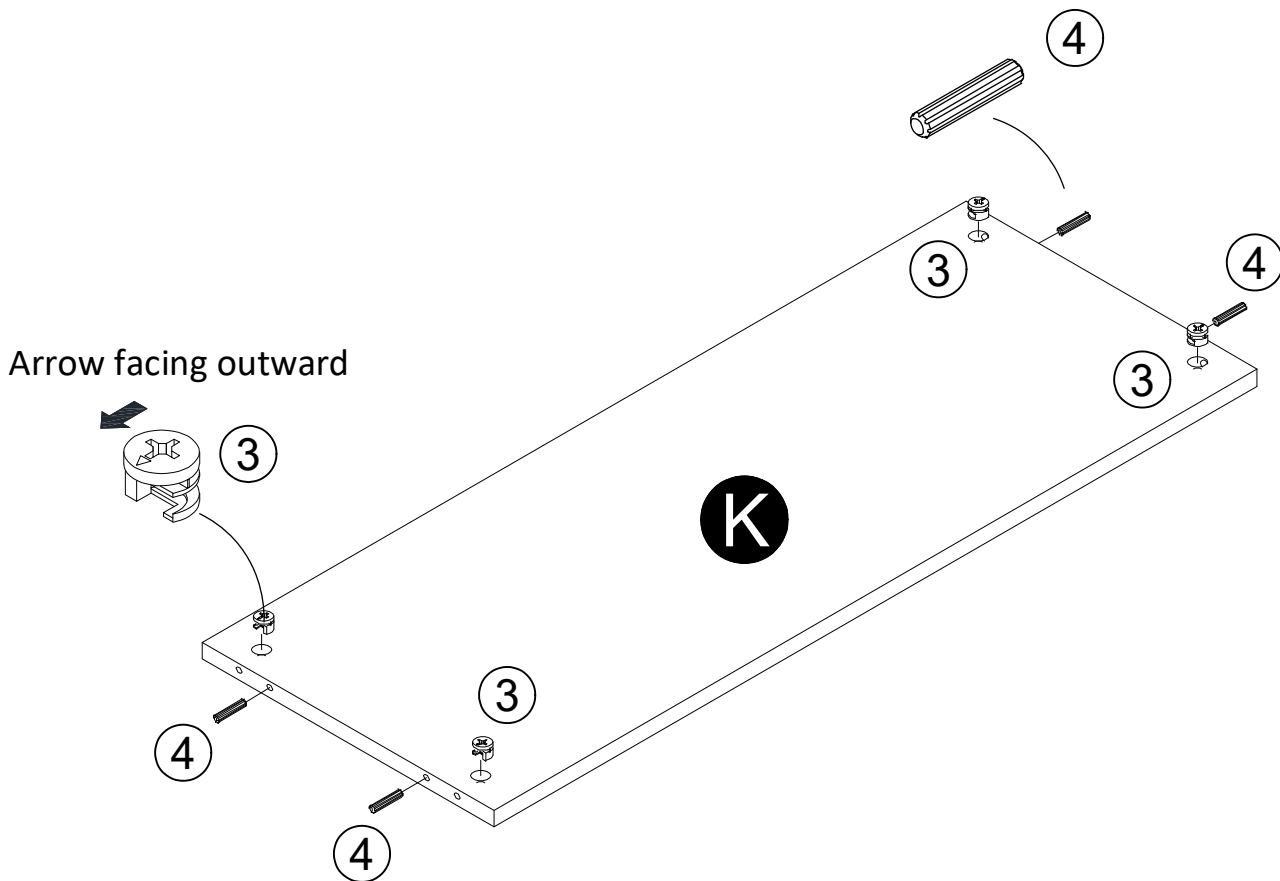




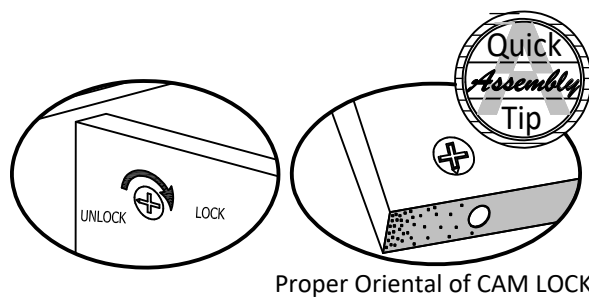
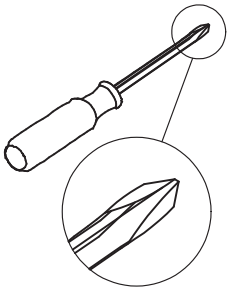
# STEP 15



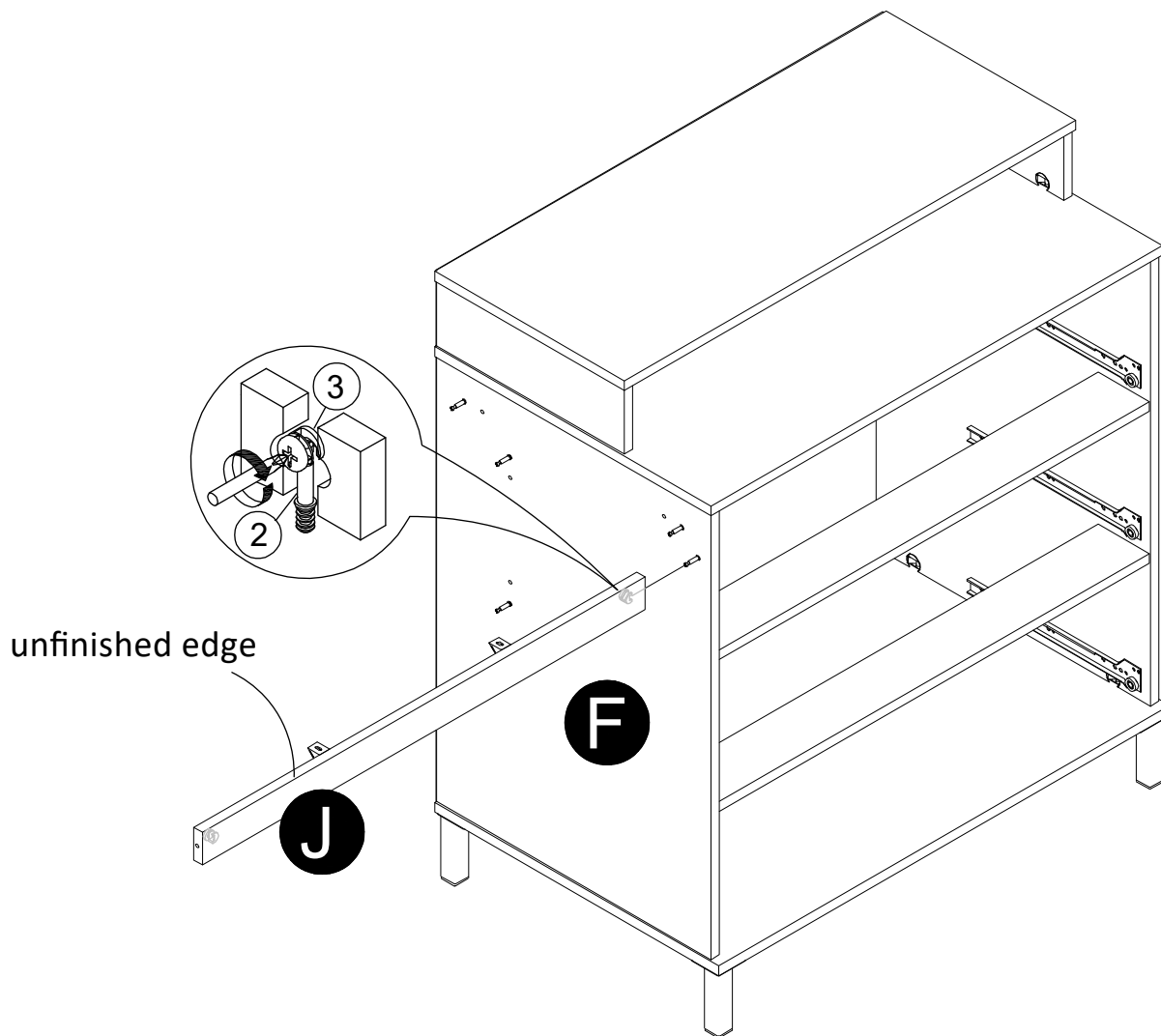
- Install Minifix Housing (3) and Wood Dowel (4) into Modesty Panel (K) as shown below.



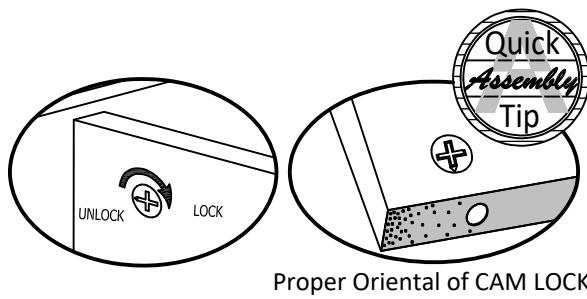
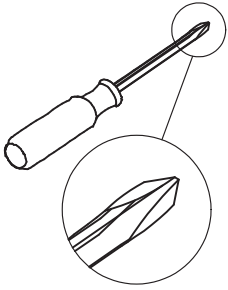
# STEP 16



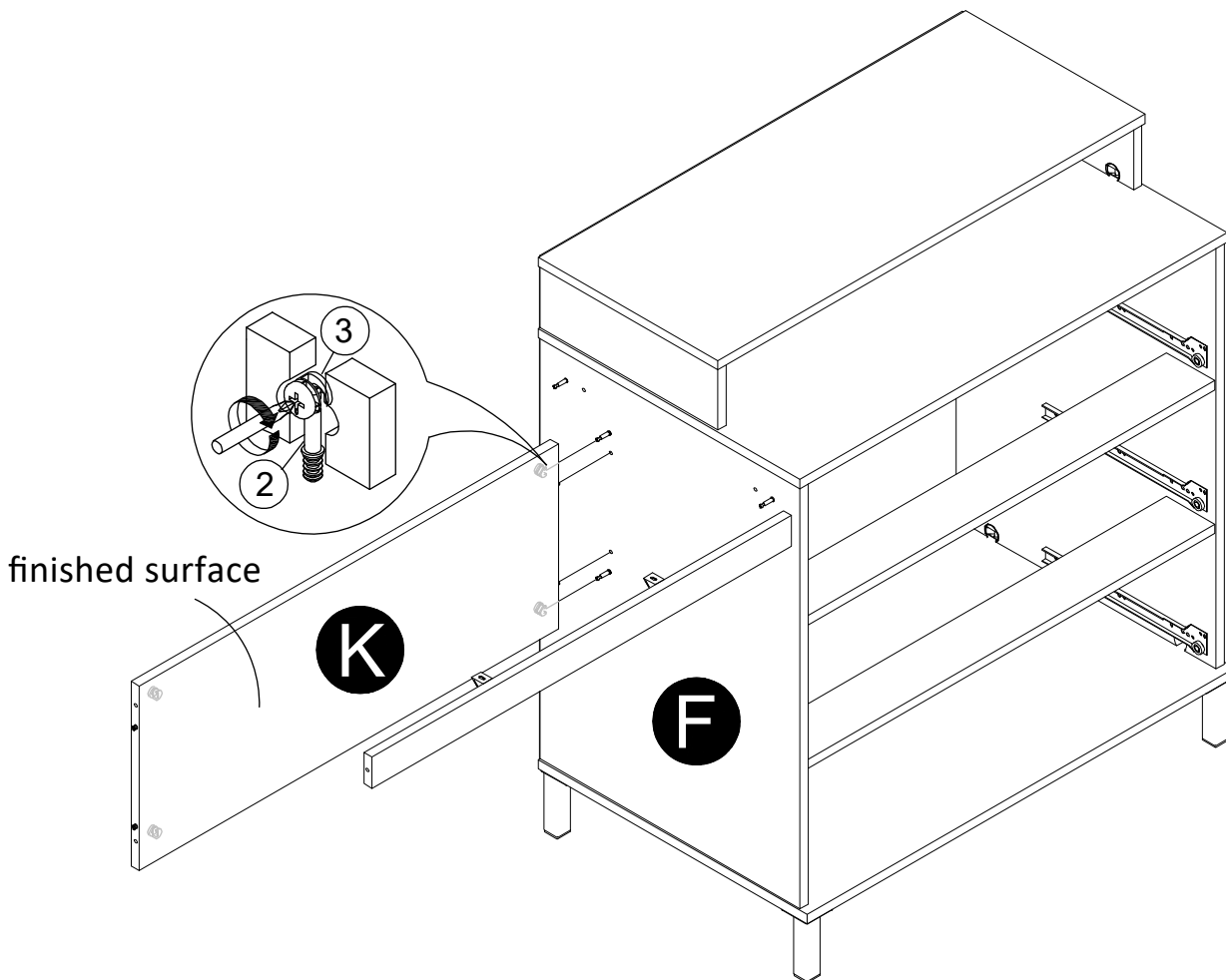
- With another help to hold Apron Panel (J), assemble Apron Panel (J) and Center Panel (F) as shown below.



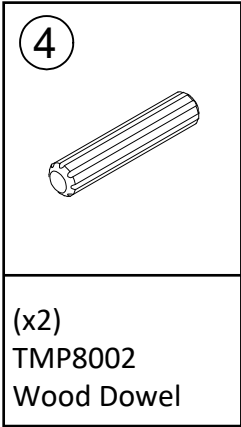
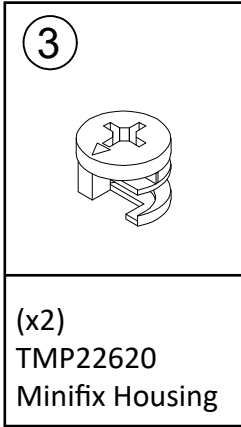
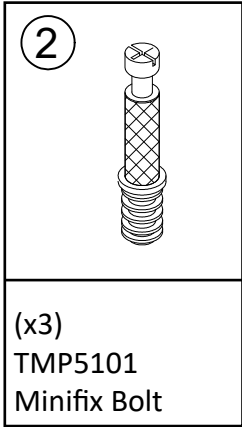
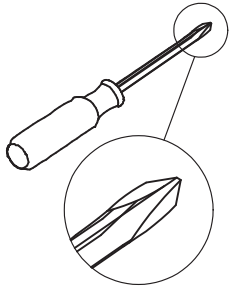
# STEP 17



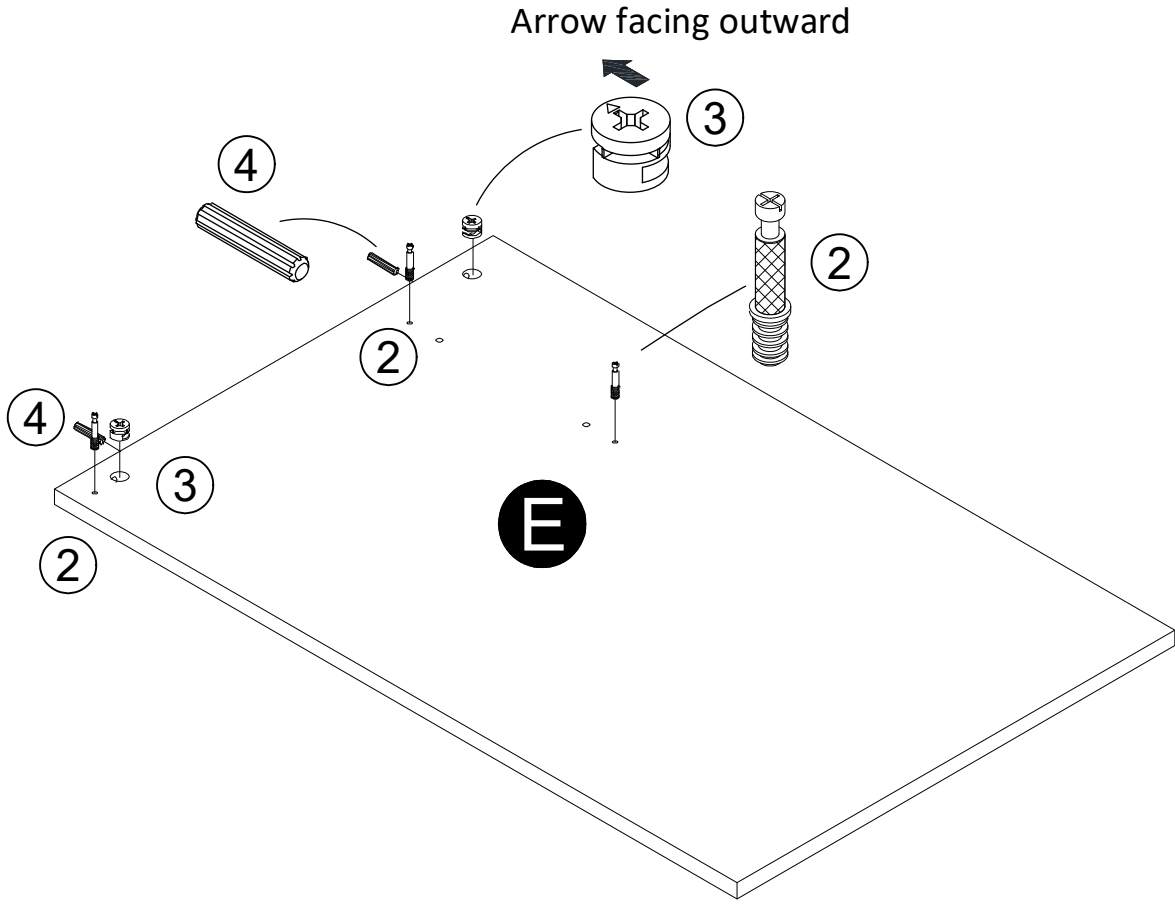
- With another help to hold Modesty Panel (K), assemble Modesty Panel (K) and Center Panel (F) as shown below.



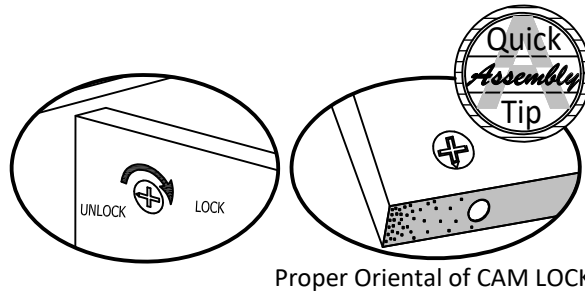
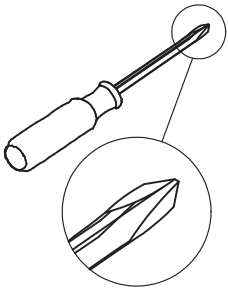
## STEP 18



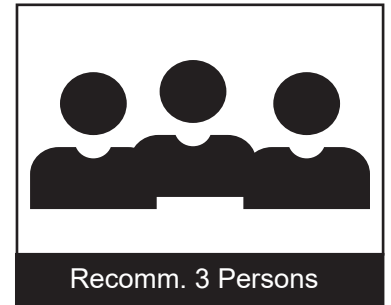
- Install Minifix Bolt (2), Minifix Housing (3) and Wood Dowel (4) into Left Side Panel (E) as shown below.



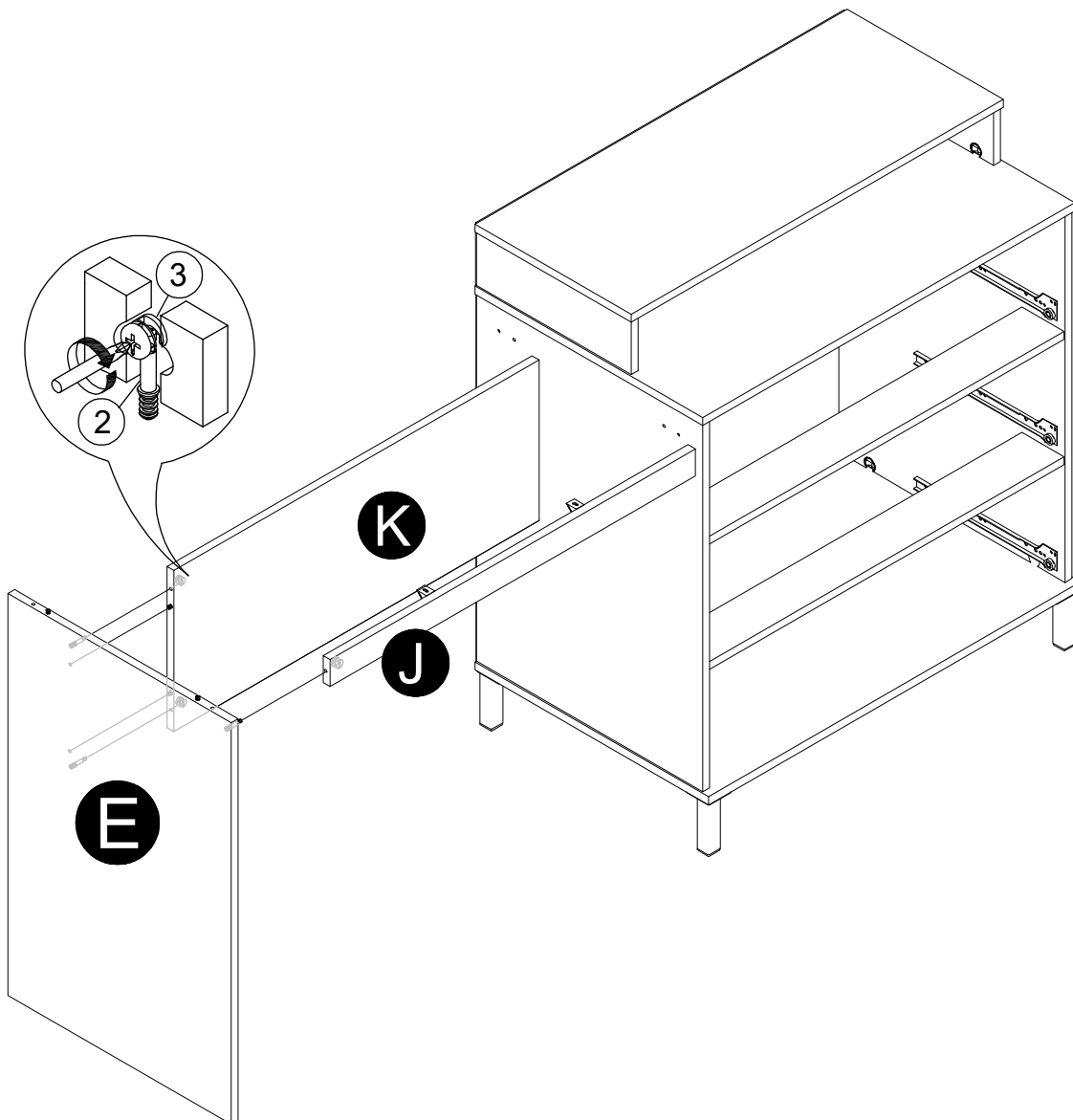
# STEP 19



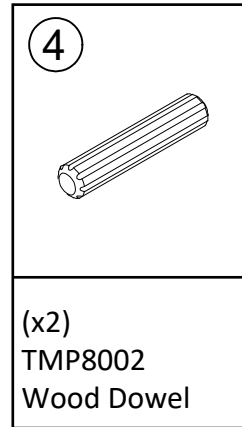
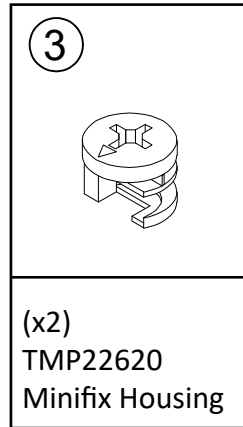
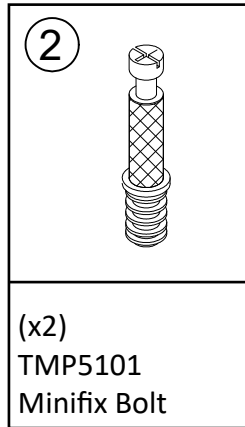
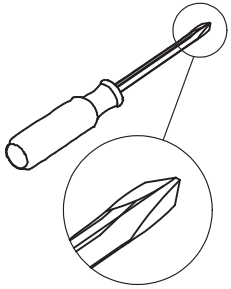
Proper Oriental of CAM LOCK



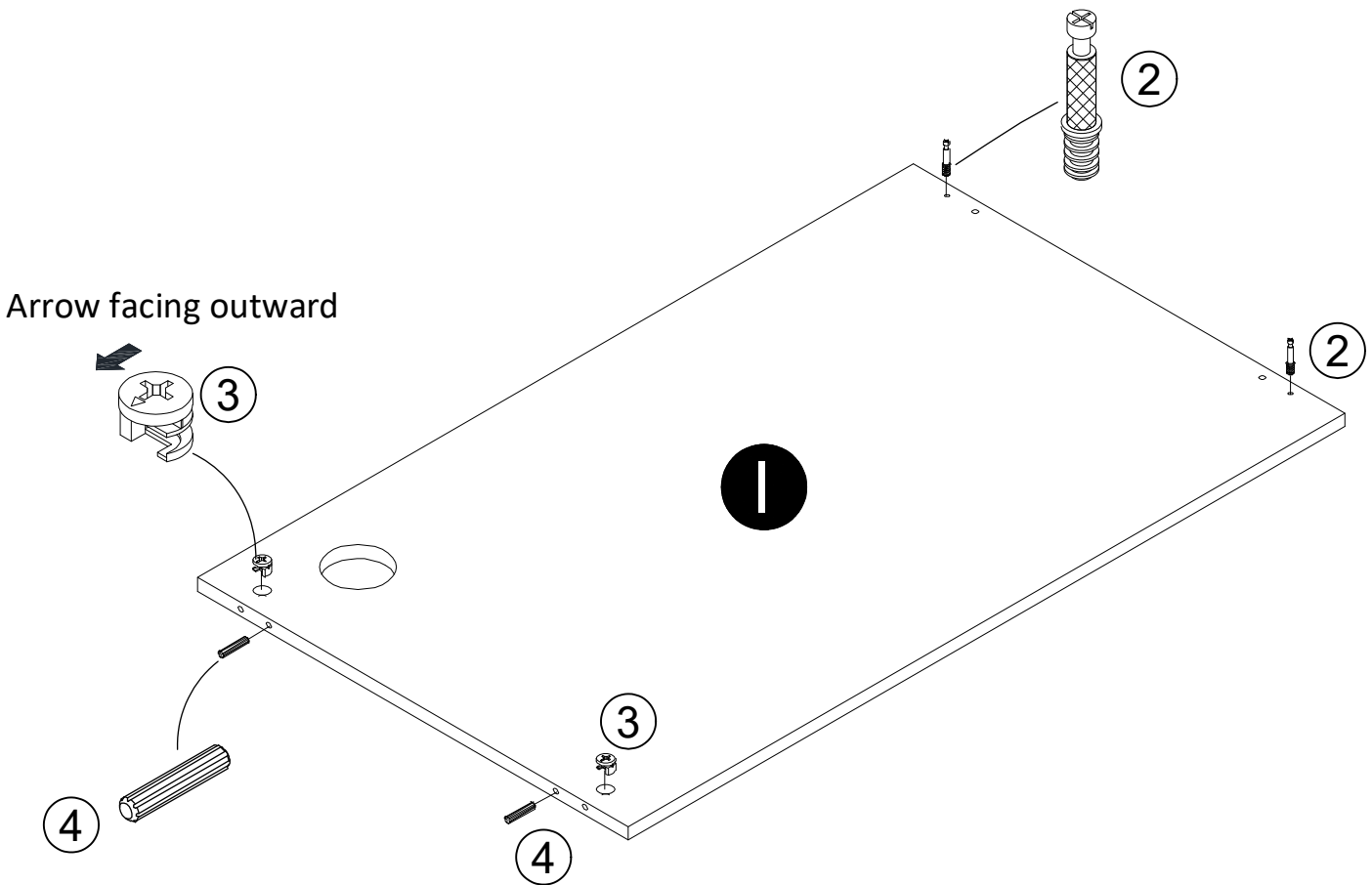
- With another help to hold Modesty Panel (K) and Apron Panel (J), assemble Left Side Panel (E) into Modesty Panel (K) and Apron Panel (J) into as shown below.



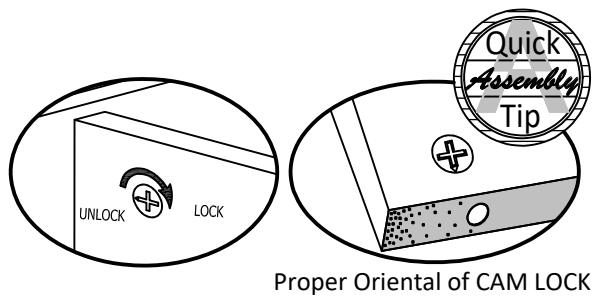
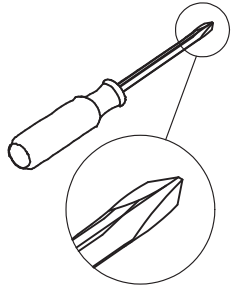
# STEP 20



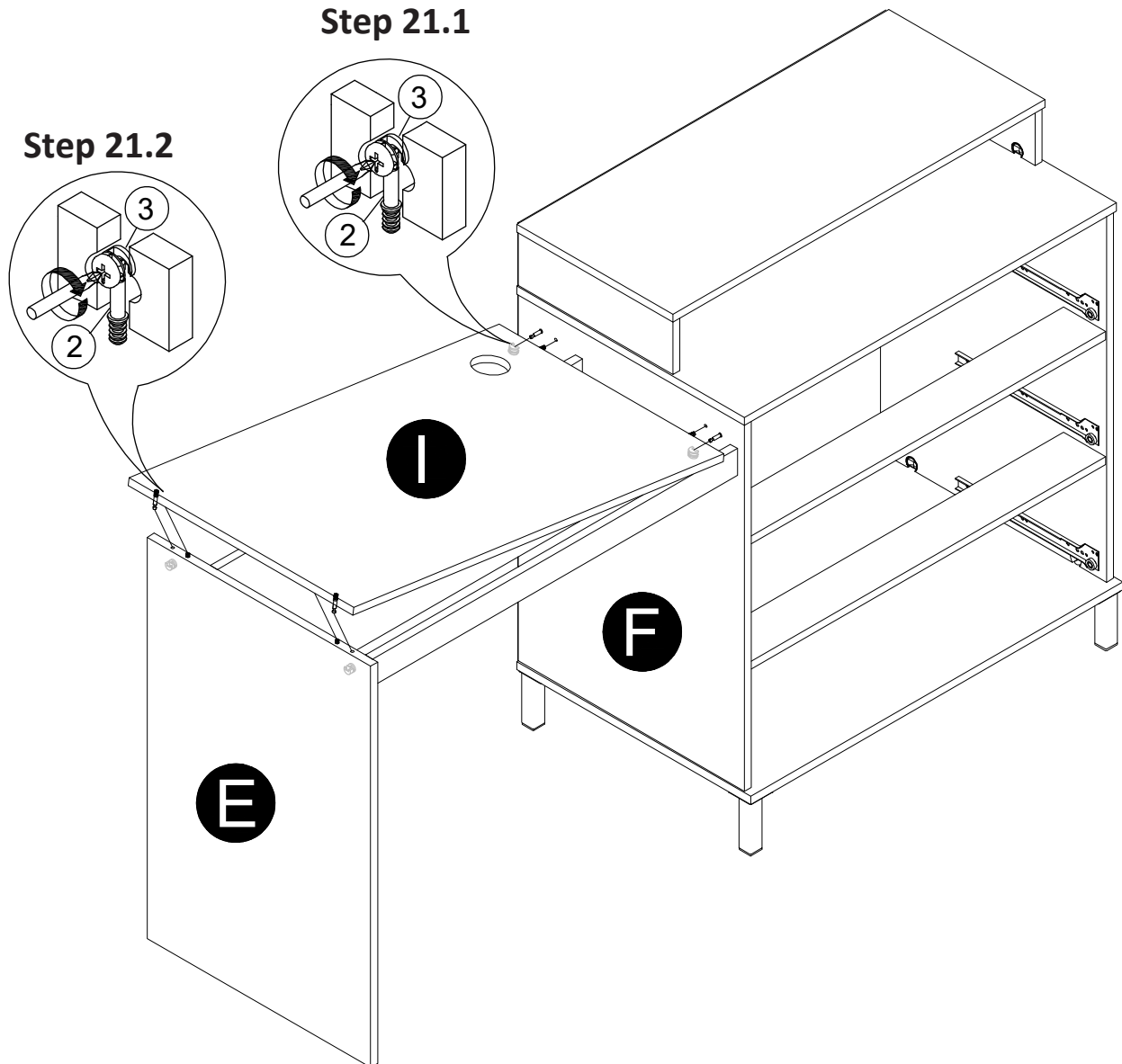
- Install Minifix Bolt (2) Minifix Housing (3), and Wood Dowel (4) into Desk Top Panel (I) as shown below.



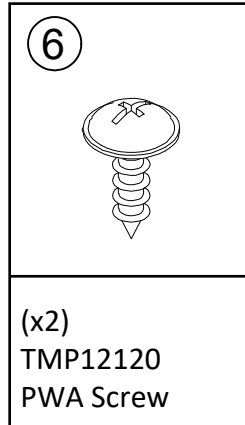
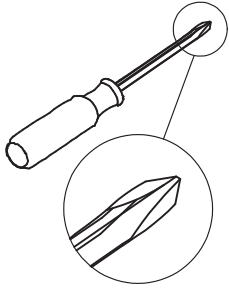
## STEP 21



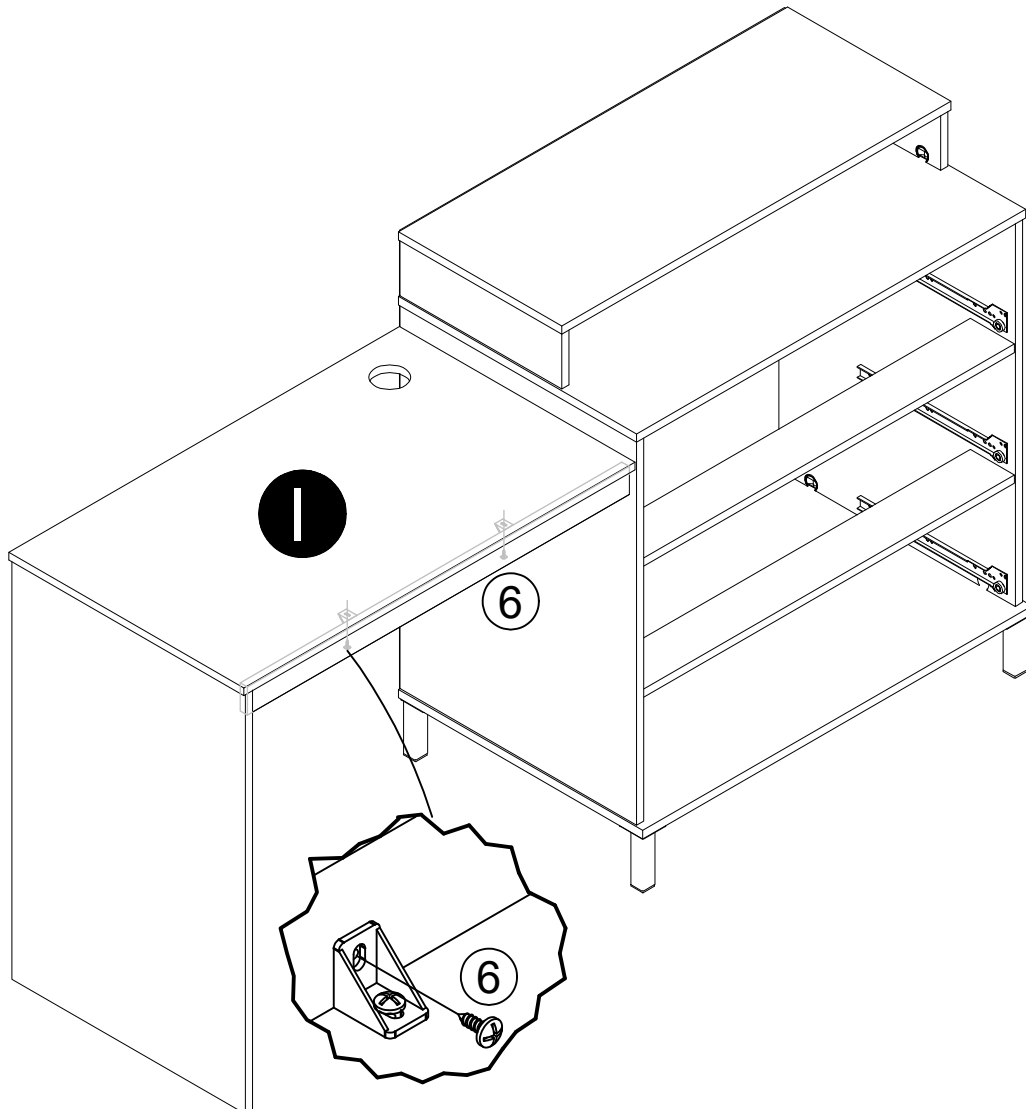
- Assemble Desk Top Panel (I) into Center Panel (F) and Left Side Panel (E) shown below.



# STEP 22



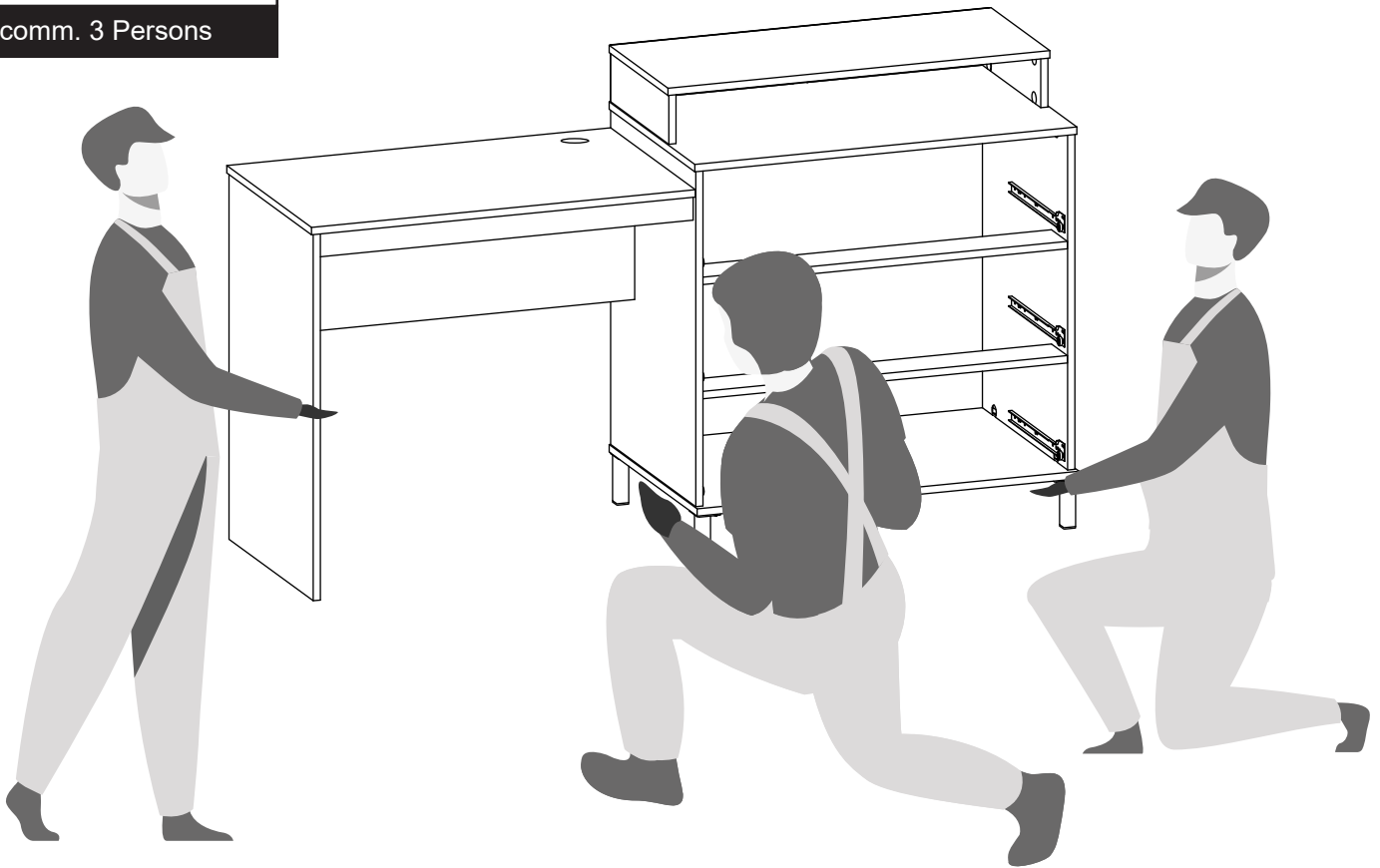
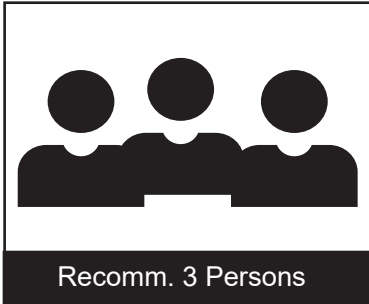
- Install PWA Screw (6) into Desk Top Panel (I) as below shown.





## STEP 23

Techniques move the unit, should hold by Two Person and carry at Bottom Side as shown below. Drawer suggest to uninstalled before movement the unit. Exceeding these wrong step movement, could cause unit damage, sagging, instability, product collapse and serious injury.



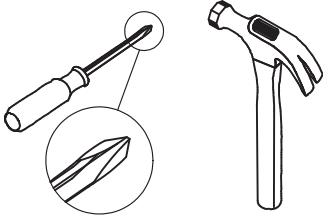
**Warning: Risk of damage to units. Don't carry the unit by holding at Upper Top Panel. The Upper Top Panel not support the weight of unit.**

**⚠ WARNING**  
 Risk of damage to units.  
 Don't carry the unit by holding at Upper Top Panel.

**BE CAREFUL**

**BEND KNEES WHEN LIFTING**

## STEP 24



**IMPORTANT:** THIS UNIT MUST BE SECURE TO THE WALL TO HELP PREVENT TIPOVER. FOLLOW THESE INSTRUCTIONS TO INSTALL THE ANTI-TIPPING SAFETY BRACKET PROVIDED WITH THIS PRODUCT.

### WARNING

**Serious or fatal crushing injuries can occur from furniture tipover.**

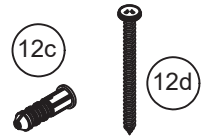
#### To prevent tipover:

- \* Install tipover restraint provided
- \* Place heaviest items in the lowest drawers
- \* Unless specifically designed to accommodate, do not set TVs or other heavy objects on the top of this product
- \* Never allow children to climb or hang on drawers, doors, or shelves
- \* Never open more than one drawer at a time

**Use of tipover restraints may only reduce, but not eliminate the risk of tipover**

### For Masonry, Concrete, or other wall materials:

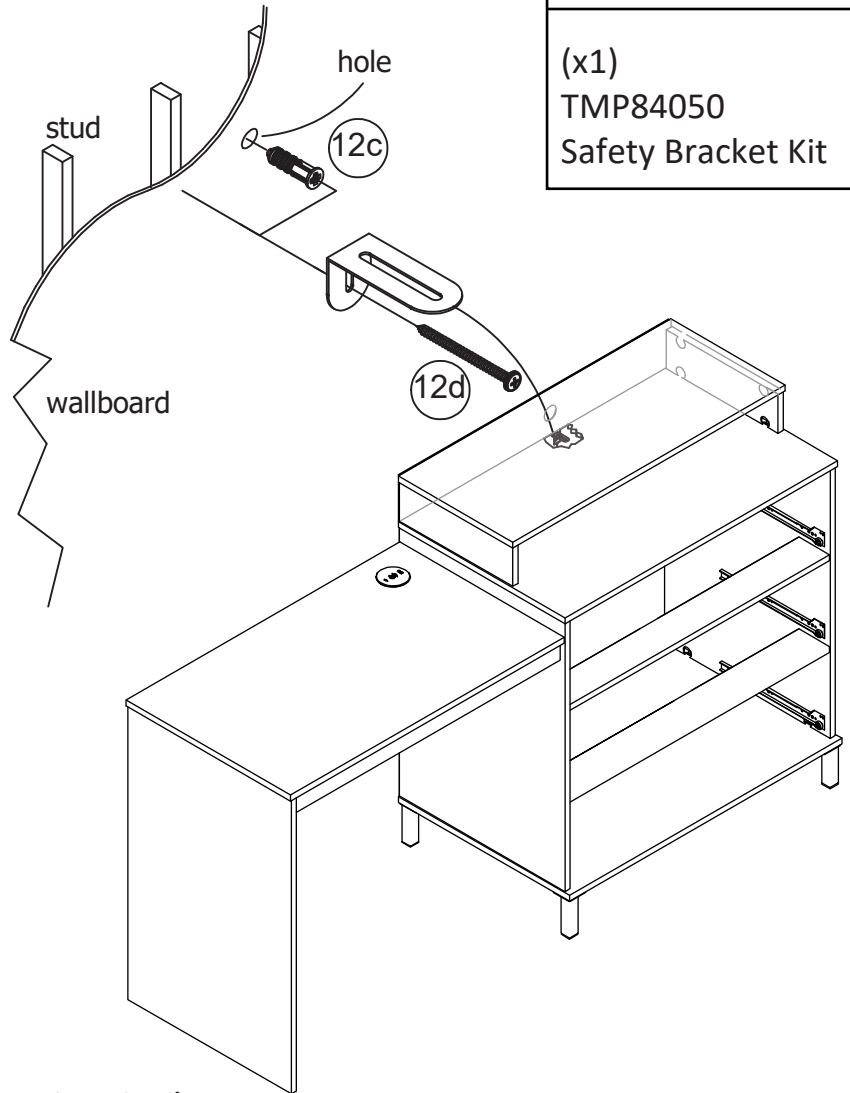
Consult your local hardware store for appropriate anchors to securely attach the safety bracket.



(x1)

TMP84050

Safety Bracket Kit



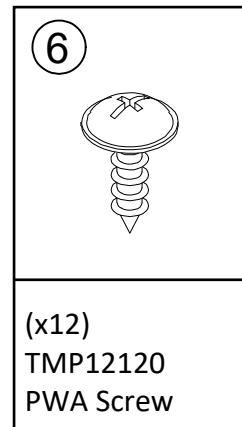
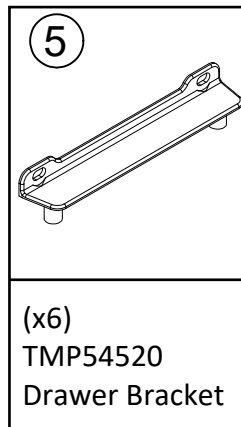
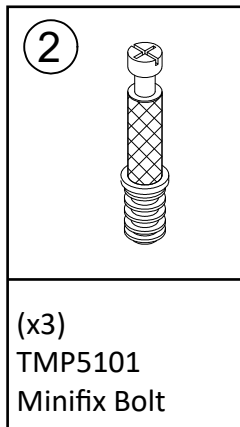
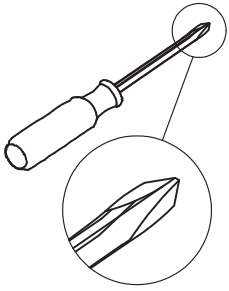
### OPTION 1 : Attachment into a wall stud (preferred method)

Using a stud finder, locate a stud in the wall. Place your unit against the wall, with the safety bracket aligned in this location. To make driving the screw easier, you can drill a 1/8" diameter pilot hole (3mm) through the safety bracket into the stud. Drive the screw through the safety bracket into the wall stud. Tighten the screw that was not fully tightened in step 1.

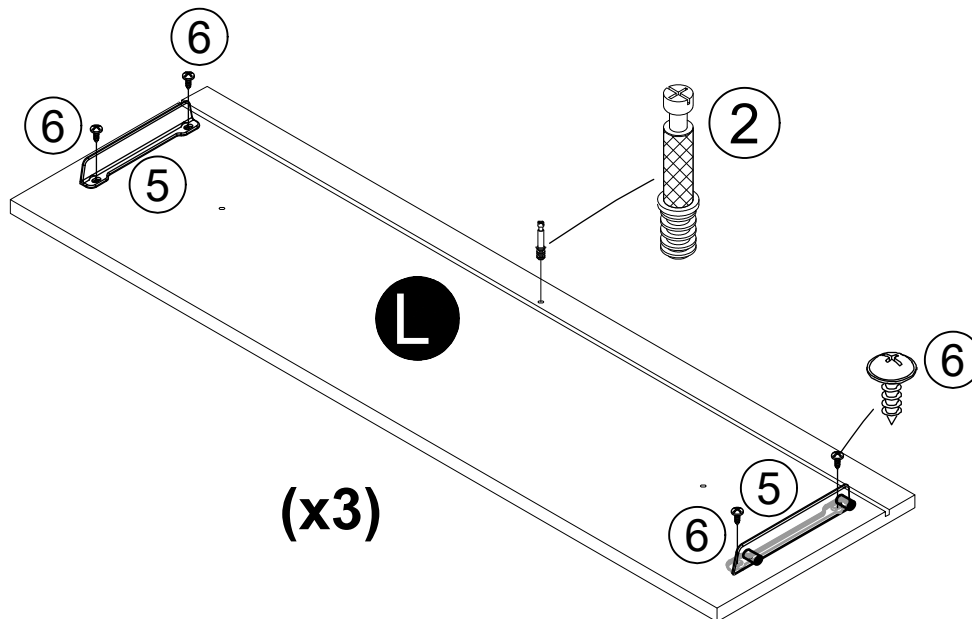
### OPTION 2 : Attachment into drywall

Locate your unit where desired against a wall and mark the wall through the safety bracket, then move your unit aside. Drill a 3/16" diameter hole (5mm) into the wallboard. Tap the wall anchor into the hole until it is flush. Move your unit into location and fasten the wall bracket to the wall anchor with the screw. Tighten the screw that was not fully tightened in step 1.

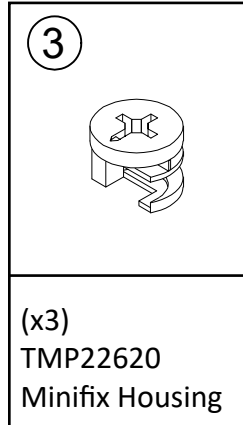
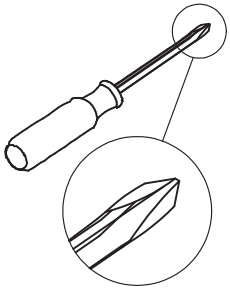
## STEP 25



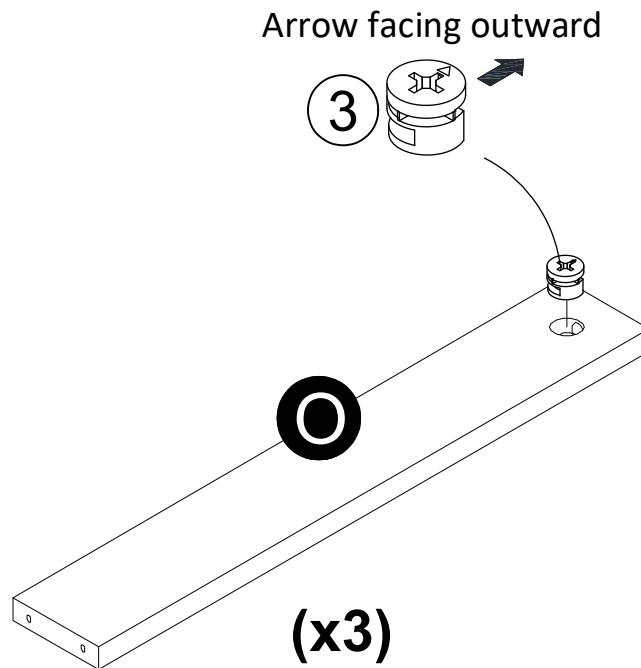
- Install Minifix Bolt (2) into Drawer Front (L).
- Install Drawer Bracket (5) to Drawer Front (L) using PWA Screw (6).
- Repeat this step for other drawers.



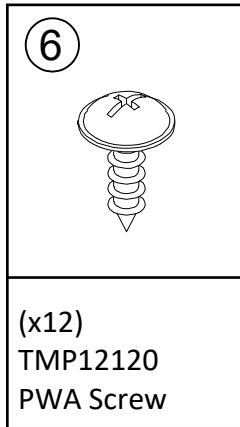
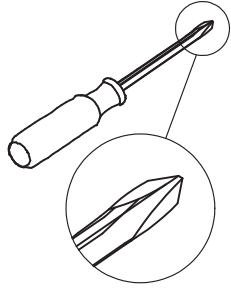
## STEP 26



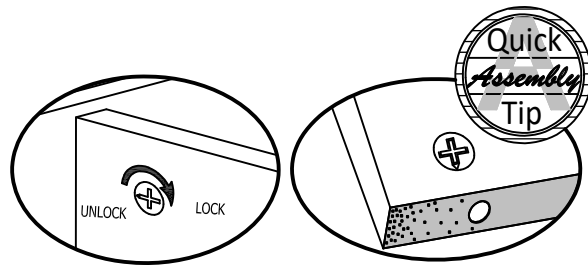
- Install Minifix Housing (3) into Drawer Support (O) as below shown.
- Repeat this step for other drawers.



## STEP 27

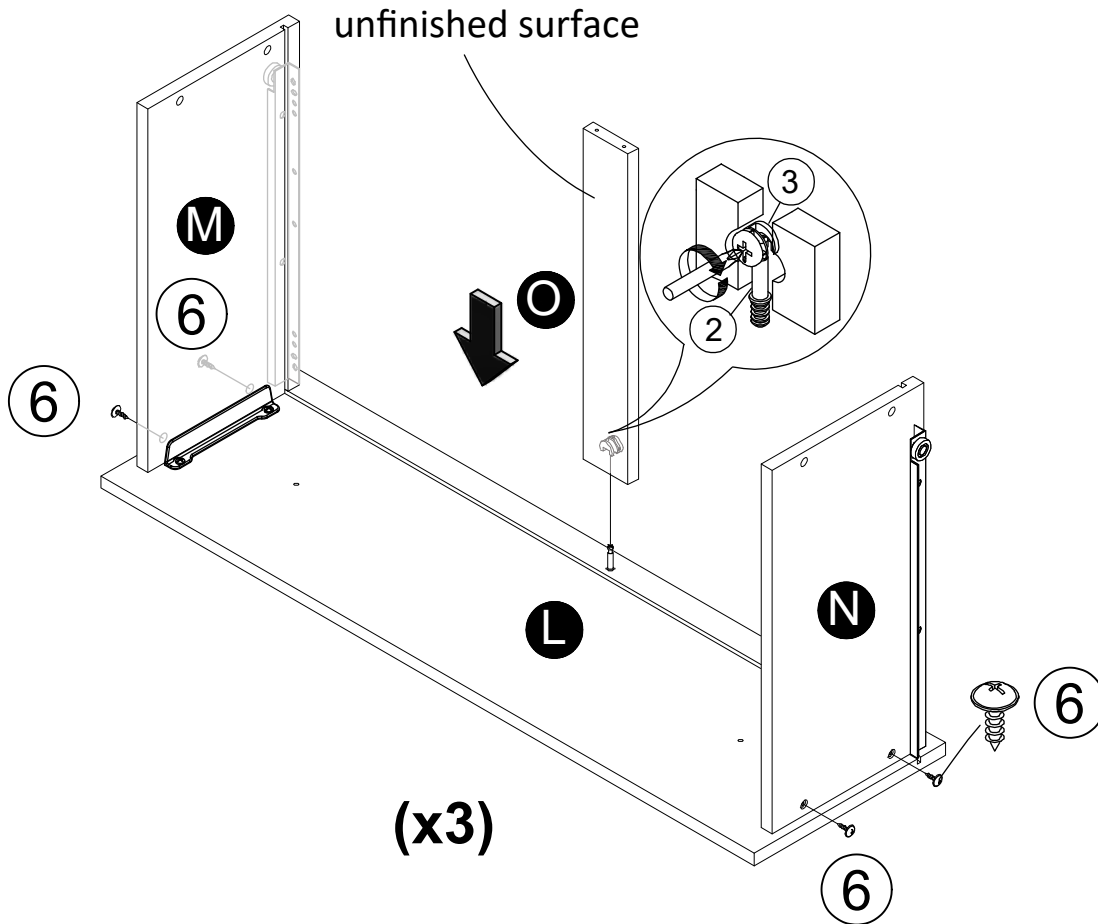


(x12)  
TMP12120  
PWA Screw

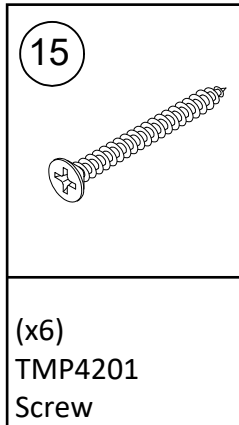
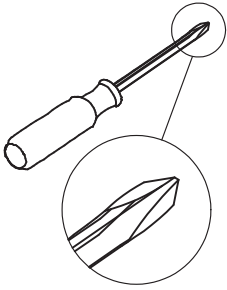


Proper Oriental of CAM LOCK

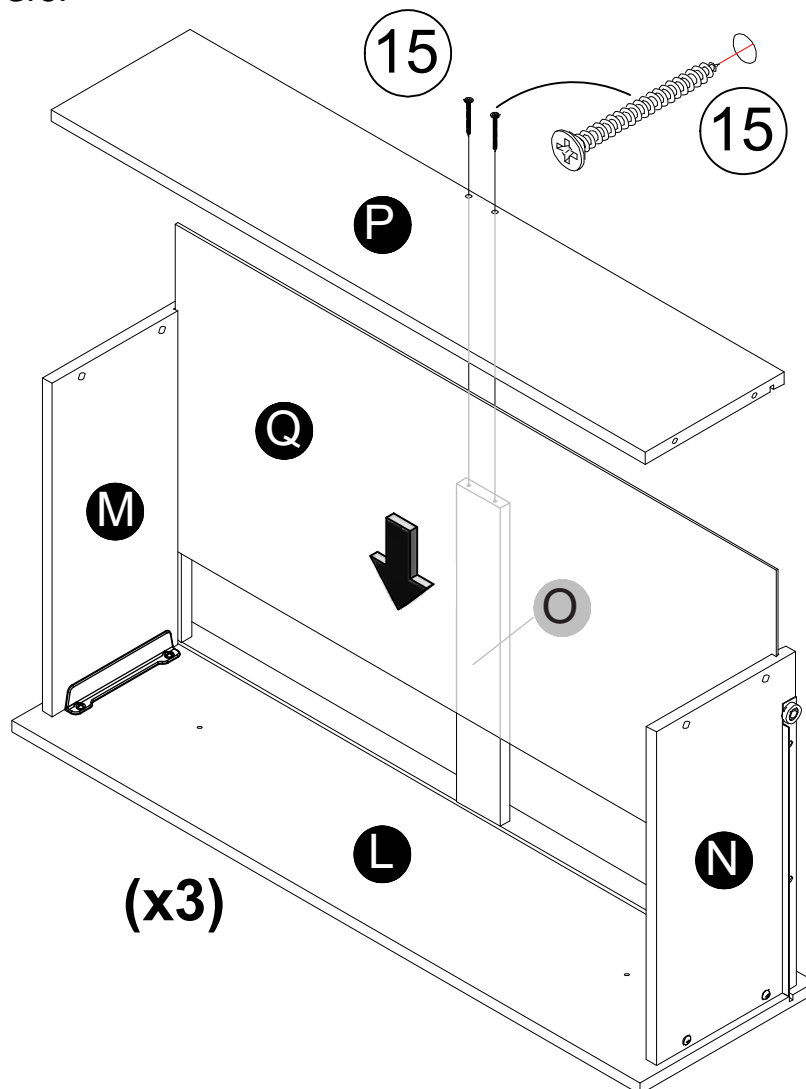
- Assemble Drawer Side (M & N) using PWA Screw (6) and Drawer Support (O) to Drawer Front (L).
- Repeat this step for other drawers.



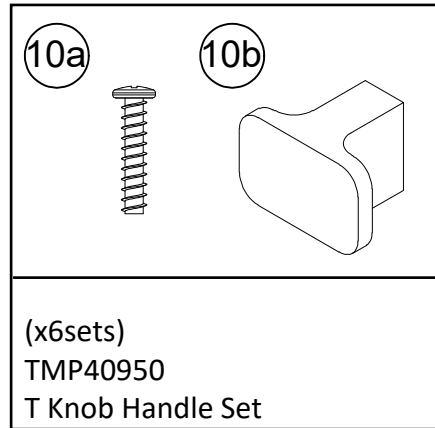
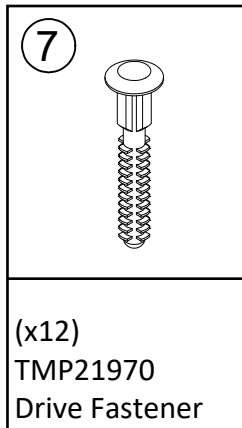
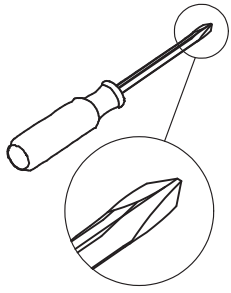
## STEP 28



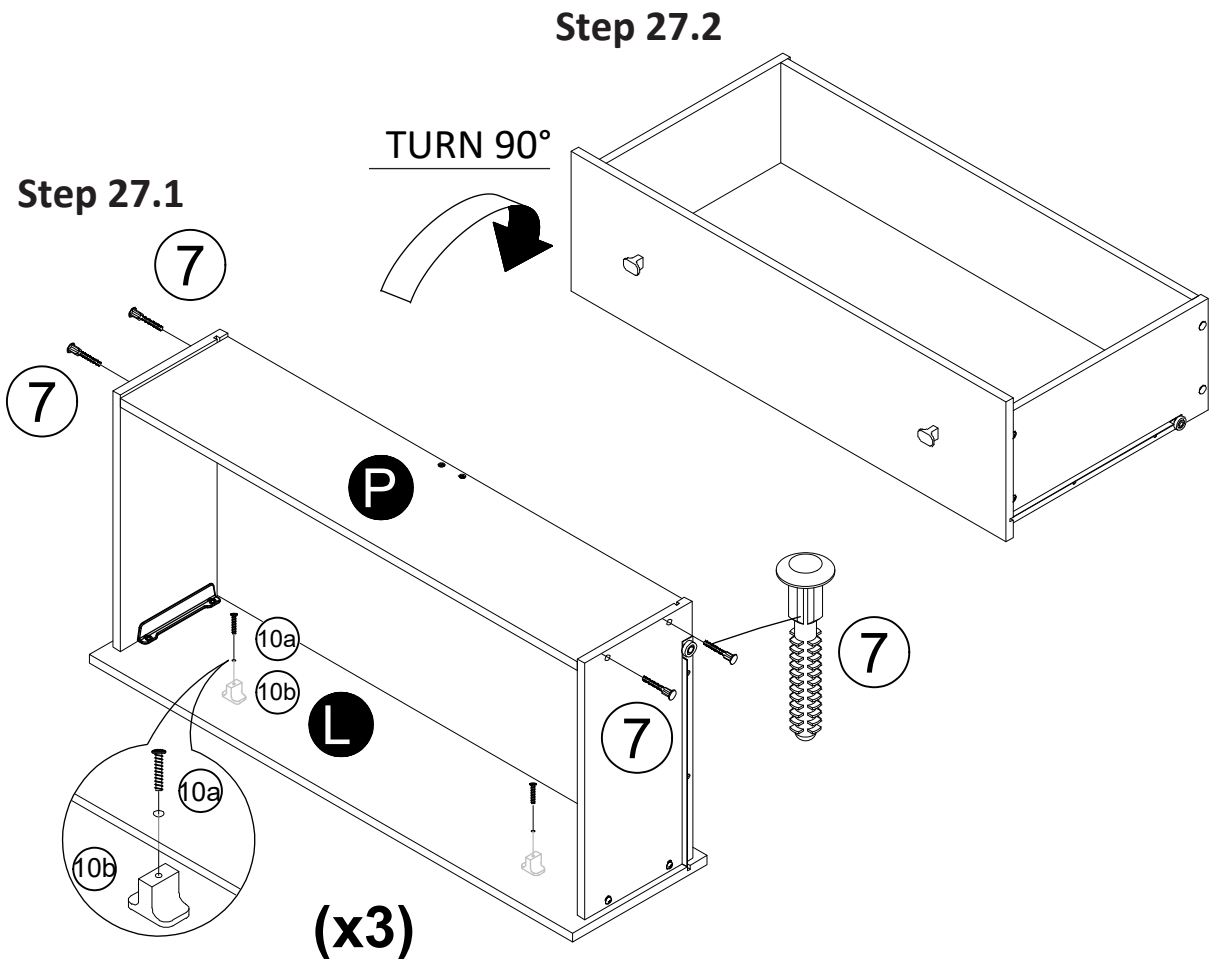
- Slide in Drawer Bottom (Q) into Drawer Side ( M & N ) and Drawer Front (L).
- Assemble Drawer Back (P) using Screw (15) to Drawer Support (O). Repeat this step for other drawers.



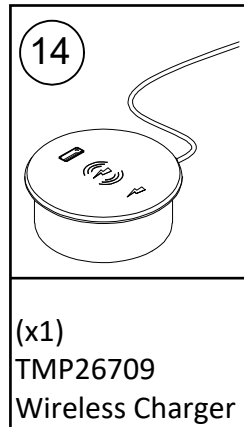
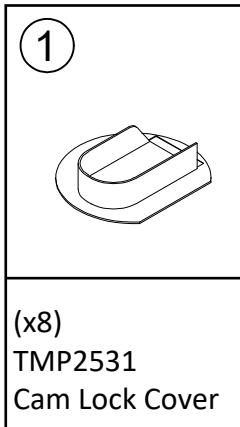
## STEP 29



- Install Drive Fastener (7) to Drawer Back (P).
- Install T Knob Handle Sets (10a & 10b) to Drawer Front(L).
- Flip unit to Front and repeat this for other drawers.

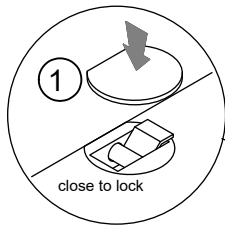


## STEP 30

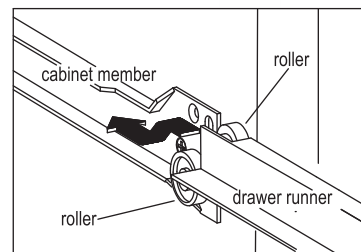
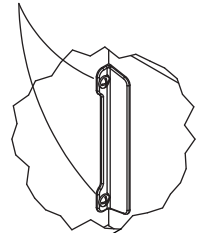
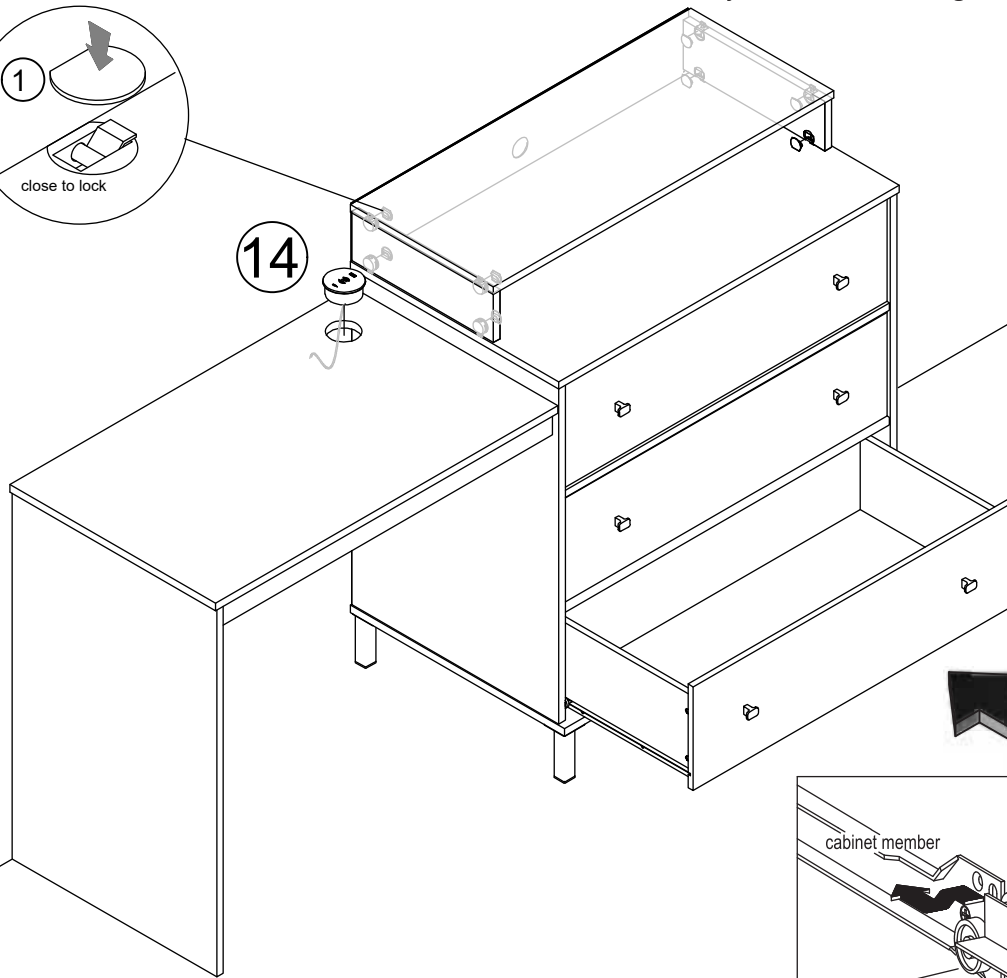


- Install Cam Lock Cover (1) and Wireless Charger (14) to unit.
- Install drawer into body.

Note: The drawer bracket holes are slotted. Drawer fronts can be adjusted by loosening screws, making needed adjustments and retightening screws.



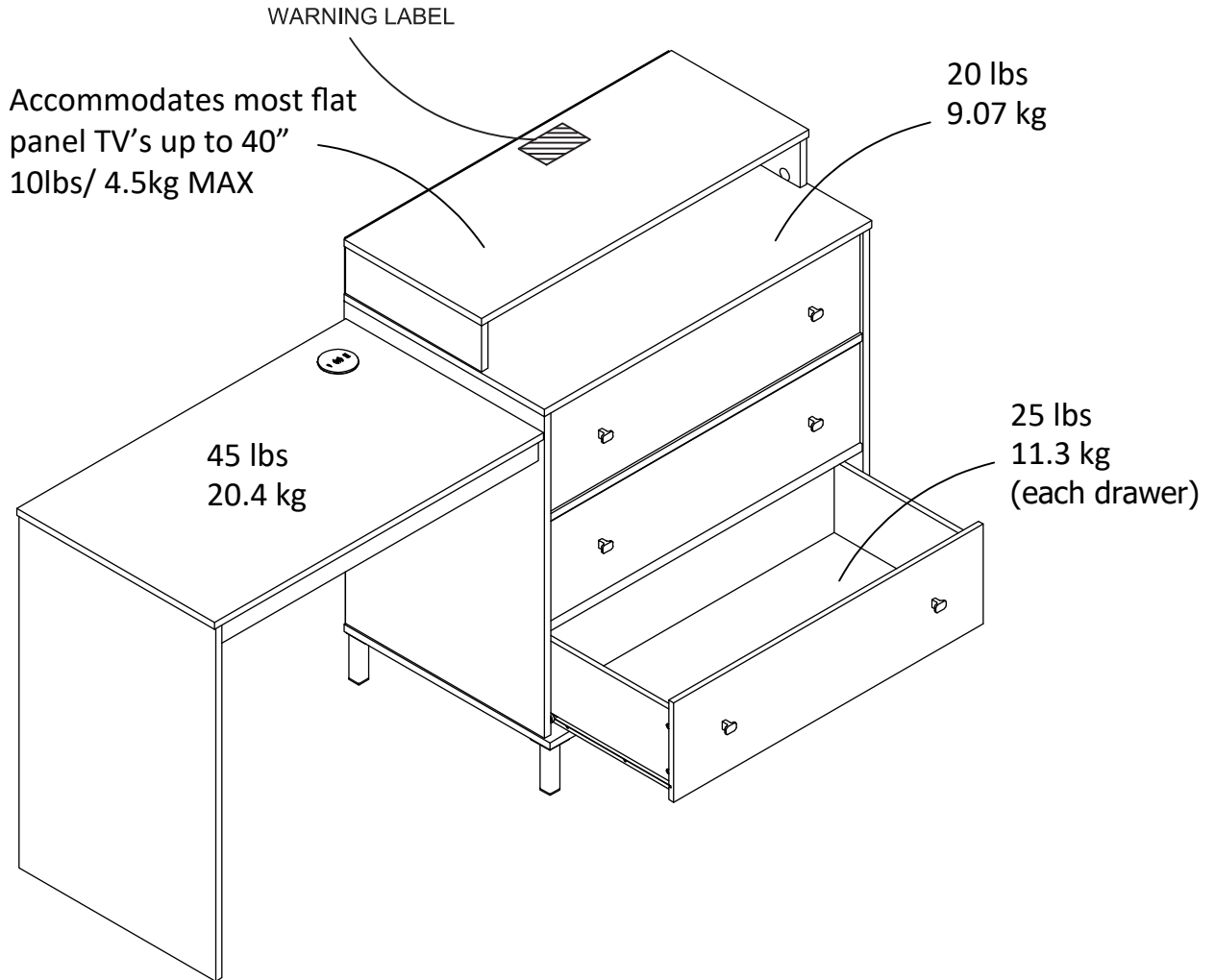
14





## Maximum Loads

This unit has been designed to support the maximum loads shown. Exceeding these load limits could cause sagging instability product collapse and/or serious injury.



### Certificate of Conformity

1. This certificate applies to the Dorel Home Furnishings Inc. product identified by this instruction manual.
2. This certificate applies to compliance of this product with the CPSC Ban on Lead-Containing Paint (16 CFR 1303).
3. This product is distributed by: Dorel Home Furnishings Inc.  
410 East First Street South  
Wright City MO 63390  
636-745-3351
4. Site of Manufacture: Malaysia
5. See front page of instruction manual for date of manufacture.

---

**Register your product to receive the following:**



- \* New trend details - sneak peek on what's new
- \* Surveys - have a voice within our community
- \* Exclusive deals and discount codes
- \* Quick and easy replacement part service

To register your product, visit [ameriwoodhome.com](http://ameriwoodhome.com)

*5 Star Rating*



Visit your local retailer's website, rate your purchased product and leave us some feedback!

We would like to extend a big "Thank You" to all of our customers for taking the time to assemble this Ameriwood Home product, and to give us your valuable feedback.

*Thank  
You!*

## Cubierta Delantera

Este libro de instrucciones contiene información **IMPORTANTE** de seguridad. Por favor lea y manténgalo para referencia en el futuro.

**No Regrese este producto!** Comuníquese con nuestro amistoso equipo de servicio al cliente para obtener ayuda.

Llámenos al: 1-800-489-3351 (Gratis) Lunes - Viernes 9am - 5pm CST

**Visitar:** [www.ameriwoodhome.com](http://www.ameriwoodhome.com)

## PRECAUCION

Este mueble puede volcarse y causar graves heridas y/o muerte.

Anclar el mueble a un poste de madera en la pared (si esto se requiere).

No Permita que los niños monten el mueble.

Mantenga los artículos más pesados en los cajones de abajo.

## Consejos Útiles (página 2)

- Abra su artículo en el área donde usted planea utilizarlo para evitar levantar y moverlo menos
- Identificar, ordenar y contar las piezas antes de intentar ensamblar
- Las clavijas de compresión se golpean con un martillo
- **Antes de la instalación, asegúrese de que el interruptor de luz esté desbloqueado.**
- Utilizar todos los clavos para el panel de atrás y distribuirlos por igual
- El panel de atrás debe utilizarse para asegurarse de que la unidad quede fija y firme
- No use químicas fuertes ni limpiadores abrasivos en este artículo
- Nunca empuje, tire ni arrastre los muebles

## Antes de Que Empieces (página 3)

- Lea cuidadosamente cada paso y siga el orden correcto
- Separar y contar todas sus piezas y hardware
- Dése suficiente espacio para el proceso de ensamble
- Tenga las siguientes herramientas: destornillador de cabeza plana, #2 cabeza Phillips  
Destornillador y martillo
- Precaución: Si usa un taladro electrónico o un destornillador eléctrico para atornillar, por favor asegúrese que deje de atornillar cuando el tornillo este apretado. Fallar hacer esto puede causar barrer el tornillo.

## Sistema de cierre Cam Lock (página 3)

- Este sistema de sujeción Cam Lock se utilizará durante todo el proceso de montaje.

\*\* Si la posición del pasador está desplazada, use pinzas para sostener el interruptor basculante en posición vertical y gire con cuidado el interruptor de bloqueo al centro de la abertura.

## **Página 7**

- Instale el perno Minifix (2) y el pasador de madera (4) en el panel central (F) como se muestra a continuación.

## **Página 8**

- Instale el perno Minifix (2) y el pasador de madera (4) en el panel lateral derecho (G) como se muestra a continuación.

## **Página 9**

- Instale la carcasa Minifix (3) y el pasador de madera (4) en el panel de refuerzo (H) como se muestra a continuación.  
- Repita este paso para otros Brace.

## **Página 10**

- Ensamble el panel central (F) y el panel de refuerzo (H) como se muestra a continuación.

## **Página 11**

- Ensamble el panel lateral derecho (G) y el panel de refuerzo (H) como se muestra a continuación.

## **Página 12**

- Ensamble el panel inferior (C) con el panel central (F) y el panel lateral derecho (G) como se muestra a continuación. Gire el interruptor para bloquear.

## **Página 13**

- Instale la pata de metal (8) y el tornillo de la pata (9) en el panel inferior (C) como se muestra.

## **Página 14**

- Instale el kit de soporte de seguridad (12a) y (12b) en la parte superior del cajón (B) como se muestra.

## **Página 15**

- Ensamble la parte superior del cajón (B) con el panel central (F) y el panel lateral derecho (G) como se muestra a continuación. Gire el interruptor para bloquear.

## Página 16

- Ensamble el panel superior izquierdo/derecho (D) en la parte superior del cajón (B) y en la parte superior del cajón superior (A) como se muestra a continuación. Gire el interruptor para bloquear.

## Página 17

**IMPORTANT! LE PANNEAU ARRIÈRE EST UNE PARTIE STRUCTURELLE DE CETTE UNITÉ ET DOIT ÊTRE INSTALLÉ CORRECTEMENT.**

Con la ayuda de otro, voltee cuidadosamente su unidad sobre su lado frontal. Asegúrese de que la unidad sea cuadrada. Coloque ambos paneles traseros como se muestra. Usando el Clavo (11), fije el Panel Posterior Inferior (S) como se muestra a continuación. Alinee el panel trasero inferior y el panel trasero superior por igual con los bordes exteriores y clave directamente a través en los bordes traseros como se muestra.

## Página 18

**IMPORTANT! LE PANNEAU ARRIÈRE EST UNE PARTIE STRUCTURELLE DE CETTE UNITÉ ET DOIT ÊTRE INSTALLÉ CORRECTEMENT.**

Con la ayuda de otro, voltee cuidadosamente su unidad sobre su lado frontal. Asegúrese de que la unidad sea cuadrada. Coloque ambos paneles traseros como se muestra. Usando el Clavo (11), el Panel Posterior Inferior (S) y la Parte Posterior Superior Panel (R) como se muestra a continuación. Alinee el panel trasero inferior y el panel trasero superior por igual con el exterior bordes y clavos directamente a través de los bordes traseros como se muestra.

## Página 19

- Voltee la unidad, gire hacia el frente de la unidad.

## Página 20

- Instale la carcasa Minifix (3), el soporte en L (13) y el tornillo PWA (6) en la plataforma Panel (J) como se muestra a continuación.

## Página 21

- Instale la carcasa Minifix (3) y el pasador de madera (4) en el panel modesto (K) como mostrado a continuación.

## **Página 22**

- Con otra ayuda para sostener el panel de la plataforma (J), ensamble el panel de la plataforma (J) y el panel central (F) como se muestra a continuación.

## **Página 23**

- Con otra ayuda para sujetar el panel modesto (K), ensamble el panel modesto (K) y el panel central (F) como se muestra a continuación.

## **Página 24**

- Instale el perno Minifix (2), la carcasa Minifix (3) y el pasador de madera (4) en el panel lateral izquierdo (E) como se muestra a continuación.

## **Página 25**

- Con otra ayuda para sostener el panel de modestia (K) y el panel de delantal (J), ensamble el panel lateral izquierdo (E) en el panel de modestia (K) y el panel de delantal (J) como se muestra a continuación.

## **Página 26**

-Instale el perno Minifix (2), la carcasa Minifix (3) y el pasador de madera (4) en el panel superior del escritorio (I) como se muestra a continuación.

## **Página 27**

- Ensamble el panel superior del escritorio (I) en el panel central (F) y el panel lateral izquierdo (E) que se muestran a continuación.

## **Página 28**

- Instale el tornillo PWA (6) en el panel superior del escritorio (I) como se muestra a continuación.

## **Página 29**

- Las técnicas mueven la unidad, deben sujetarla dos personas y llevarla por el lado inferior como se muestra a continuación. El cajón sugiere desinstalarlo antes de mover la unidad. Superar estos movimientos de pasos incorrectos podría causar daños a la unidad, flacidez, inestabilidad, colapso del producto y lesiones graves

## Página 30

**IMPORTANT : CE MEUBLE DOIT ETRE SÉCURISÉ AU MUR POUR EVITER QU'IL NE BASCULE. SUIVRE CES INSTRUCTIONS POUR INSTALLER LE SUPPORT DE SÉCURITÉ ANTI-BASCULEMENT FOURNI AVEC CE PRODUIT.**

### AVERTISSEMENT

Des blessures graves ou mortelles peuvent se produire en cas de basculement des meubles.

Pour éviter le basculement :

- \* Installer la pièce anti-basculement fournie
- \* Placer les objets les plus lourds dans les tiroirs les plus bas
- \* Sauf si spécifiquement conçu pour y être installé, ne pas poser de téléviseur ou d'autres objets lourds sur de ce produit
- \* Ne jamais laisser enfants grimper ou s'accrocher sur les tiroirs, les portes ou les étagères
- \* Ne jamais ouvrir plus d'un tiroir à la fois

L'utilisation des pièces anti-basculement peut uniquement réduire, mais pas éliminer le risque de basculement.

### OPTION 1 : ancrage sur un colombage (méthode privilégiée)

Localisez un colombage dans le mur à l'aide d'un détecteur de colombage. Placez votre meuble contre le mur en maintenant le support de sécurité aligné au même endroit. Pour faciliter l'insertion de la vis, il est recommandé de percer un trou d'essai de 1/8" de diamètre (3 mm) à travers le support de sécurité dans le colombage. Passer la vis à travers le support de sécurité pour l'insérer dans le colombage. Serrer la vis qui n'a pas été complètement serrée à l'étape 10.

### OPTION 2 : ancrage dans la cloison sèche

Positionnez votre meuble sur la zone ciblée contre un mur et faites une marque sur le mur à travers le support de sécurité, puis déplacez votre meuble de côté. Percez un trou de 3/16" de diamètre (5 mm) dans le panneau mural. Tapez sur l'ancre murale pour l'introduire dans le trou jusqu'à ce qu'il soit parfaitement aligné et installé. Placez votre meuble sur son emplacement et fixer le support mural à l'ancre murale avec la vis. Serrez la vis qui n'a pas été complètement serrée à l'étape 10.

## Página 31

- Instale el perno Minifix (2) en el frente del cajón (L).
- Instale el soporte del cajón (5) en el frente del cajón (L) usando el tornillo PWA (6).
- Repita este paso para otros cajones

## Página 32

- Instale la carcasa Minifix (3) en el soporte del cajón (O) como se muestra a continuación.
- Repita este paso para otros cajones.

## Página 33

- Ensamble el lateral del cajón (M y N) con el tornillo PWA (8) y el soporte del cajón (O) en el frente del cajón (L).
- Repita este paso para otros cajones.

## Página 34

- Deslice la parte inferior del cajón (Q) hacia el lado del cajón (M y N) y el frente del cajón (L).
- Ensamble la parte posterior del cajón (P) con el tornillo (15) en el soporte del cajón (O). Repita este paso para otros cajones.

## Página 35

- Instale el sujetador de transmisión (7) en la parte posterior del cajón (P).
- Instale los juegos de manijas con perilla en T (10a y 10b) en el frente del cajón (L).
- Voltee la unidad hacia el frente y repita esto para otros cajones.

## Página 36

- Instale la cubierta de bloqueo de leva (1) y el cargador inalámbrico (14) en la unidad.
- Instale el cajón en el cuerpo.

## Página 37

IMPORTANT : CE MEUBLE DOIT ETRE SÉCURISÉ AU MUR POUR EVITER QU'IL NE BASCULE. SUIVRE CES INSTRUCTIONS POUR INSTALLER LE SUPPORT DE SÉCURITÉ ANTI-BASCULEMENT FOURNI AVEC CE PRODUIT.

### AVERTISSEMENT

Des blessures graves ou mortelles peuvent se produire en cas de basculement des meubles.

Pour éviter le basculement :

- \* Installer la pièce anti-basculement fournie
- \* Placer les objets les plus lourds dans les tiroirs les plus bas
- \* Sauf si spécifiquement conçu pour y être installé, ne pas poser de téléviseur ou d'autres objets lourds sur de ce produit
- \* Ne jamais laisser enfants grimper ou s'accrocher sur les tiroirs, les portes ou les étagères
- \* Ne jamais ouvrir plus d'un tiroir à la fois

L'utilisation des pièces anti-basculement peut uniquement réduire, mais pas éliminer le risque de basculement.



## OPTION 1 : ancrage sur un colombage (méthode privilégiée)

Localisez un colombage dans le mur à l'aide d'un détecteur de colombage. Placez votre meuble contre le mur en maintenant le support de sécurité aligné au même endroit. Pour faciliter l'insertion de la vis, il est recommandé de percer un trou d'essai de 1/8" de diamètre (3 mm) à travers le support de sécurité dans le colombage. Passer la vis à travers le support de sécurité pour l'insérer dans le colombage. Serrer la vis qui n'a pas été complètement serrée à l'étape 10.

## OPTION 2 : ancrage dans la cloison sèche

Positionnez votre meuble sur la zone ciblée contre un mur et faites une marque sur le mur à travers le support de sécurité, puis déplacez votre meuble de côté. Percez un trou de 3/16" de diamètre (5 mm) dans le panneau mural. Tapez sur l'ancre murale pour l'introduire dans le trou jusqu'à ce qu'il soit parfaitement aligné et installé. Placez votre meuble sur son emplacement et fixer le support mural à l'ancre murale avec la vis. Serrez la vis qui n'a pas été complètement serrée à l'étape 10.

## Página 38

### CHARGES MAXIMALES

Ce meuble a été conçu pour supporter les charges maximales indiquées. En excédant ces limites de charge, le meuble pourrait devenir instable, s'effondrer, et/ou causer des blessures graves.

**AVERTISSEMENT :** Risque de blessure corporelle - ne pas placer une télévision sur ce meuble. Ce meuble n'est pas approuvé pour une utilisation avec une télévision.

## Página 39

Registre su producto para recibir lo siguiente:

- \* Detalles de nuevas tendencias - Vistazo a lo nuevo
- \* Encuestas - aloc su voz entre su comunidad
- \* Códigos de ofertas y descuentos exclusivos
- \* Fácil y rápido servicio de partes de reemplazo

Para registrar su producto, visite [ameriwoodhome.com](http://ameriwoodhome.com)

Clasificación de 5 estrellas

Visite el sitio web de su tienda local, califique su comprado y denos sus comentarios!

Nos gustaría enviar un gran "Agradecimiento" a todos nuestros clientes por tomarse el tiempo de ensamblar este producto de Ameriwood Home, y por darnos sus valiosos comentarios.

Gracias

## Couverture Avant

CE LIVRET D'INSTRUCTION CONTIENT DES INFORMATIONS **IMPORTANTES** SUR LA SÉCURITÉ. VEUILLEZ LIRE ET GARDER POUR UNE RÉFÉRENCE FUTURE

**Ne retournez pas ce produit!** Contactez notre équipe de service à la clientèle amicale d'abord pour obtenir de l'aide.

**Appelez-nous:** 1-800-489-3351 (sans frais) du Lundi au Vendredi de 9h à 17h Heure Centrale

**Visitez:** [www.ameriwoodhome.com](http://www.ameriwoodhome.com)

## ATTENTION

Le meuble peut basculer et causer des blessures graves ou la mort.

Ancrer le meuble à une planche murale dans le mur (si indiqué).

Ne laissez pas les enfants grimper sur le meuble.

Placez les articles lourds sur les étagères ou dans les tiroirs inférieurs.

## Astuces Utiles (page 2)

-Ouvrez votre article dans la zone que vous prévoyez de le garder pour moins de levage lourd

-Identifier, trier et compter les pièces avant d'essayer d'assembler

-Les goujons de compression sont taraudés avec un Marteau

-Avant l'installation, assurez-vous que l'interrupteur d'éclairage est déverrouillé.

-Utiliser tous les clous fournis pour le panneau arrière et les répartir également

-Le panneau arrière doit être utilisé pour vous assurer que votre appareil est robuste

-N'utilisez pas de produits chimiques agressifs ou de nettoyeurs abrasifs sur cet appareil

-Ne jamais pousser, tirer, ou faire glisser votre meuble

## Avant de Commencer (page 3)

-Lisez attentivement chaque étape et suivez le bon ordre

-Séparez et comptez toutes vos pièces et matériaux

-Donnez-vous suffisamment de place pour l'assemblage

-Avoir les outils suivants: tournevis à tête plate, #2 tournevis Phillips, et Marteau

-Attention: Si vous utilisez une perceuse électrique ou un tournevis électrique pour visser, veillez à ralentir et arrêter lorsque la vis est bien serrée. Le non-respect de cette consigne peut endommager la vis.

## Système de Fixation de Came (page 3)

-Ce système de fixation Cam Lock sera utilisé tout au long du processus d'assemblage.

\*\* Si la position de la broche est décalée, utilisez une pince tenir l'interrupteur à bascule en position verticale position et tournez prudemment le verrou au centre de l'ouverture.

## Page 7

- Installer le boulon Minifix (2) et la cheville en bois (4) dans le panneau central (F) comme indiqué ci-dessous.

## Page 8

- Installer le boulon Minifix (2) et la cheville en bois (4) sur le panneau latéral droit (G) comme il est montré dans ce qui suit.

## Page 9

- Installer le carter Minifix (3) et la cheville bois (4) sur le panneau de renfort (H) comme il est montré dans ce qui suit.  
- Répétez cette étape pour les autres bretelles.

## Page 10

- Assemblez le panneau central (F) et le panneau de renfort (H) comme indiqué ci-dessous.

## Page 11

- Assemblez le panneau latéral droit (G) et le panneau de renfort (H) comme indiqué ci-dessous continuation.

## Page 12

- Assemblez le panneau inférieur (C) avec le panneau central (F) et le panneau latéral droit (G) comme il est montré dans ce qui suit. Basculez l'interrupteur pour verrouiller.

## Page 13

- Installez le pied métallique (8) et la vis du pied (9) sur le panneau inférieur (C) comme se montre.

## Page 14

- Installer le kit de support de sécurité (12a) et (12b) sur le dessus du tiroir (B) comme on le montre.

## Page 15

- Assemblez la partie supérieure du tiroir (B) avec le panneau central (F) et le panneau latéral droite (G) comme indiqué ci-dessous. Basculez l'interrupteur pour verrouiller.

## Page 16

- Assemblez le panneau supérieur gauche/droit (D) au haut du tiroir (B) et en haut du tiroir supérieur (A) comme illustré ci-dessous. Basculez l'interrupteur pour verrouiller.

## Page 17

**IMPORTANT! LE PANNEAU ARRIÈRE EST UNE PARTIE STRUCTURELLE DE CET APPAREIL ET DOIT ÊTRE INSTALLÉ CORRECTEMENT**

A l'aide d'un autre, retournez délicatement votre appareil sur sa face avant. Assurez-vous que l'unité est carrée. Positionnez les deux panneaux arrière comme indiqué. À l'aide d'un clou (11), fixez le panneau arrière inférieur (S) comme illustré ci-dessous. Alignez le panneau arrière inférieur et le panneau arrière supérieur de manière égale avec les bords extérieurs et clouez tout droit. dans les bords arrière comme indiqué.

## Page 18

**IMPORTANT! LE PANNEAU ARRIÈRE EST UNE PARTIE STRUCTURELLE DE CET APPAREIL ET DOIT ÊTRE INSTALLÉ CORRECTEMENT**

A l'aide d'un autre, retournez délicatement votre appareil sur sa face avant. Assurez-vous que l'unité est carrée. Positionnez les deux panneaux arrière comme indiqué. À l'aide d'un clou (11), attachez le panneau arrière inférieur (S) et le haut du dos Panneau (R) comme illustré ci-dessous. Alignez le panneau arrière inférieur et le panneau arrière supérieur de manière égale avec l'extérieur les bords et les clous directement dans les bords arrière, comme illustré.

## Page 19

- Retourner l'appareil, tourner vers l'avant de l'appareil.

## Page 20

- Installez le boîtier Minifix (3), le support en L (13) et la vis PWA (6) sur le Plate-forme du panneau (J) comme illustré ci-dessous.

## Page 21

- Installer le boîtier Minifix (3) et la cheville bois (4) sur le panneau modeste (K) comme indiqué ci-dessous.

## Page 22

- A l'aide d'une autre aide pour soutenir le panneau de pont (J), assembler le panneau de pontplate-forme (J) et le panneau central (F) comme illustré ci-dessous.

## Page 23

- Avec une autre aide pour tenir le panneau de fond (K), assembler le panneau de fond (K) et le panneau central (F) comme illustré ci-dessous.

## Page 24

- Installer le boulon Minifix (2), le boîtier Minifix (3) et la cheville en bois (4) dans le panneau côté gauche (E) comme indiqué ci-dessous.

## Page 25

- Avec une autre aide pour tenir le panneau modestie (K) et le panneau tablier (J), assemblez le panneau latéral gauche (E) dans le panneau modestie (K) et le panneau tablier (J) comme illustré ci-dessous.

## Page 26

- Installer le boulon Minifix (2), le boîtier Minifix (3) et la cheville en bois (4) dans le panneau dessus du bureau (I) comme illustré ci-dessous.

## Page 27

- Assemblez le panneau supérieur du bureau (I) dans le panneau central (F) et le panneau latéral gauche (E) illustrés ci-dessous.

## Page 28

- Installez la vis PWA (6) dans le panneau supérieur du bureau (I) comme indiqué ci-dessous continuation.

## Page 29

- Installez le boulon Minifix (2) à l'avant du tiroir (L).
- Installer le support de tiroir (5) sur la façade du tiroir (L) à l'aide de la vis PWA (6).
- Répétez cette étape pour les autres tiroirs.

## Page 30

- Installer le boîtier Minifix (3) sur le support du tiroir (O) comme indiqué ci-dessous. continuation.
- Répétez cette étape pour les autres tiroirs.

## Page 31

- Assembler le côté du tiroir (M et N) avec la vis PWA (8) et le support du tiroir (O) sur le devant du tiroir (L).
- Répétez cette étape pour les autres tiroirs.

## Page 32

- Glisser le bas du tiroir (Q) sur le côté du tiroir (M et N) et le façade de tiroir (L).
- Assembler le fond du tiroir (P) avec la vis (15) sur le support du tiroir (O). Répétez cette étape pour les autres tiroirs.

## Page 33

- Installer le support de transmission (7) au dos du tiroir (P).
- Installez les ensembles de poignées en T (10a et 10b) sur la façade du tiroir (L).
- Retournez le meuble vers l'avant et répétez cette opération pour les autres tiroirs.

## Page 34

- Glisser le bas du tiroir (Q) sur le côté du tiroir (M et N) et le façade de tiroir (L).
- Assembler le fond du tiroir (P) avec la vis (15) sur le support du tiroir (O). Répétez cette étape pour les autres tiroirs.

## Page 35

- Installer le support de transmission (7) au dos du tiroir (P).
- Installez les ensembles de poignées en T (10a et 10b) sur la façade du tiroir (L).
- Retournez le meuble vers l'avant et répétez cette opération pour les autres tiroirs.

## Page 36

- Installez le couvercle du verrou à came (1) et le chargeur sans fil (14) sur l'appareil.
- Installer le tiroir dans le corps.

## Page 37

### CHARGES MAXIMALES

Ce meuble a été conçu pour supporter les charges maximales indiquées. En excédant ces limites de charge, le meuble pourrait devenir instable, s'effondrer, et/ou causer des blessures graves.

**AVERTISSEMENT :** Risque de blessure corporelle - ne pas placer une télévision sur ce meuble. Ce meuble n'est pas approuvé pour une utilisation avec une télévision.

## Page 38

Enregistrez votre produit pour recevoir les éléments suivantes:

- \* Détails sur les nouvelles tendances - un aperçu sur les nouveautés
- \* Sondages - avoir une voix au sein de notre communauté
- \* Offres exclusives et codes promo
- \* Service de pièces de rechange rapide et facile

Pour enregistrer votre produit, visitez [ameriwoodhome.com](http://ameriwoodhome.com)

5 Étoiles

Visitez le site Web de votre détaillant local, évaluez votre produit acheté et laissez-nous quelques commentaires !

Nous tenons à offrir un grand "Merci" à tous nos clients pour avoir pris le temps d'assembler ce produit "Ameriwood Home", et de nous donner vos commentaires précieux.

Merci